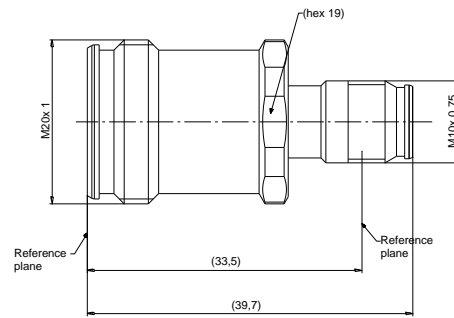
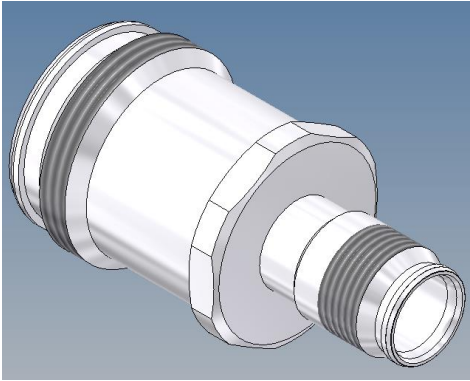


Inter-Series Adaptor Type NEX10[®] socket to 4.3-10 socket || BN 432071



constructional modifications reserved!

all dimensions in millimeter

| | |
|---|--|
| Interface type | 4.3-10 socket (50 Ω) per IEC 61169-54 NEX10 [®] socket screw |
| Frequency range | DC to 6 GHz |
| VSWR, max. / typ. | 1.04 @ DC to 2 GHz 1.08 @ 2 to 4 GHz 1.12 @ 4 to 6 GHz |
| Intermodulation (IM3) @ 2x 20W, max. | -165 dBc |
| Inner conductor material / surface finish | copper alloy / silver plated |
| Outer conductor material / surface finish | copper alloy / CuSnZn plated |
| Other metal parts / surface finish | copper alloy / nickel plated |
| Insulation | PTFE |
| Sealing | silicone rubber |
| IP protection level | IP68 per EN 60529 (barrier and mating face sealed) |
| Weight, approx. | 41 g |

SPINNER GmbH
 This document is proprietary to us.
 All rights reserved. Any use, transfer, or reproduction of this document
 or the know-how contained therein requires our express consent.