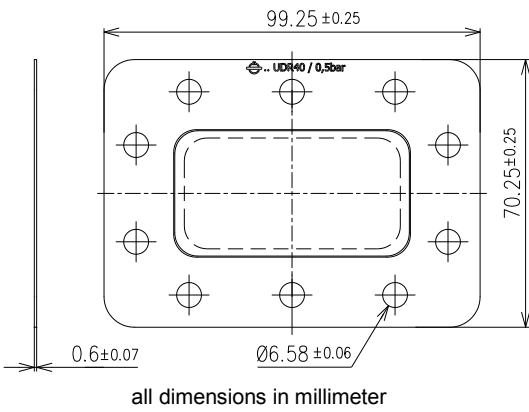


Waveguide Pressure Window R 40 || BN 465963



Interface type	similar UDR 40 per IEC 60154-2
Frequency range	3.22 to 4.9 GHz
VSWR, max.	1.03
Material	copper alloy
Surface finish	untreated
Other parts	PI foil
Differential operating pressure, max.	0.05 MPa (0.5 bar), both-way
Weight, approx.	28 g