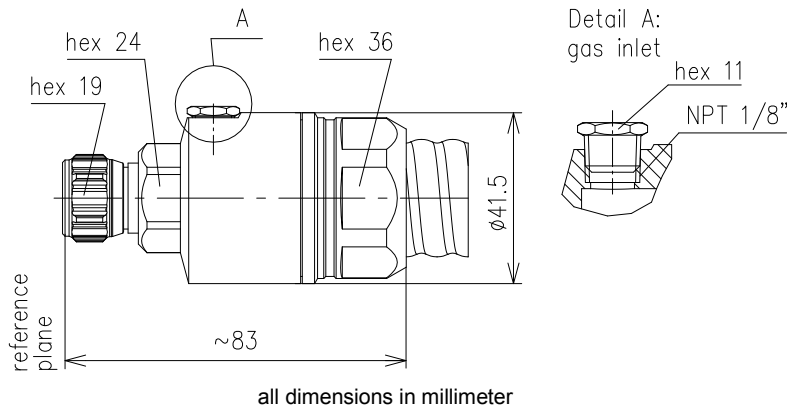


Cable Connector N plug for Air Dielectric Cable 7/8" || BN 492180



Interface type	N plug (50 ohms) per IEC 61169-16	
Frequency range	DC to 5.2 GHz	
VSWR, max.	1.02 @ DC to 1 GHz 1.03 @ 1 to 2.2 GHz 1.08 @ 2.2 to 4 GHz 1.15 @ 4 to 5.2 GHz	
Peak power capability	10 kW	
Average power capability	0.6 kW @ 960 MHz	
Proof voltage, max.	2 kV	
Inner conductor material / surface finish	copper alloy / silver plated	
Outer conductor material / surface finish	copper alloy / silver plated	
Other metal parts / surface finish	copper alloy / bright nickel plated	
Insulation	PTFE	
Sealing	silicone rubber	
Degree of protection	IP 68 (pressure-tight up to 4 bar / 400 kPa)	
Cable compatibility	CommScope	HJ5-50
Handling instructions	M36267	
Weight, approx.	0.35 kg	
Operating temperature range	-40°C to +85°C	
Storage temperature range	-70°C to +85°C	
Gas inlet	NPT 1/8"	
Included in delivery	cover, sealing, installation instruction	