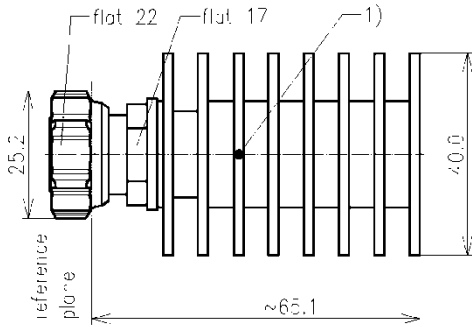


Load Type 4.3-10 || BN 527755



all dimensions in millimeter

| | |
|---|---|
| Interface type | 4.3-10 plug screw (50 Ω) per IEC 61169-54 |
| Frequency range | DC to 7 GHz |
| VSWR, max. | 1.06 @ DC to 1 GHz 1.11 @ 1 to 2 GHz 1.17 @ 2 to 5 GHz 1.22 @ 5 to 7 GHz |
| Power dissipation, max. | 25 W 2) |
| Inner conductor material / surface finish | CuBe age-hardened / silver plated |
| Outer conductor material / surface finish | copper alloy / CuSnZn plated |
| Heat sink | aluminum / painted black (RAL9005 black) |
| Other metal parts / surface finish | copper alloy / nickel plated |
| Insulation | PTFE |
| IP protection level | IP68 per EN 60529 (barrier and mating face sealed) |
| Weight, approx. | 130 g |
| Operating position | any |

- 1) Measuring point for surface temperature
- 2) The maximum power handling is reduced with rising ambient temperatures as follows

