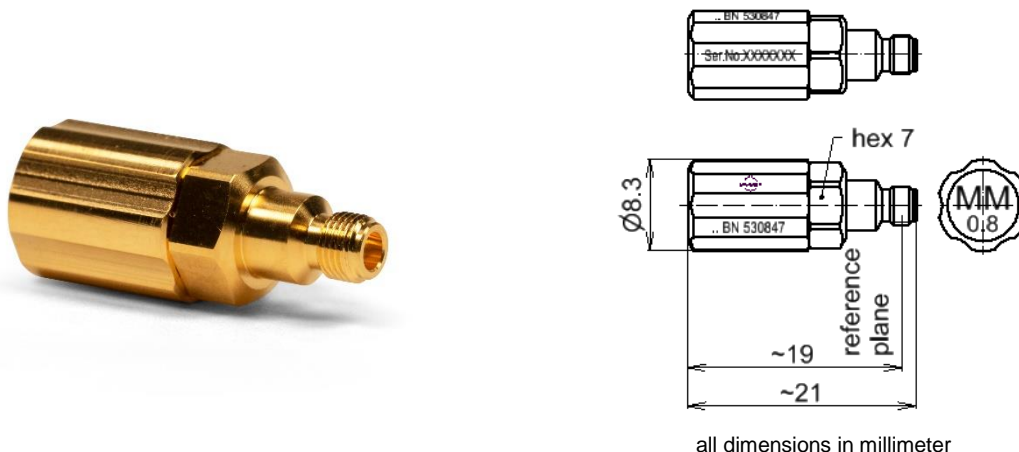


Mismatched termination; precision, 0.8 mm socket | BN 530847



all dimensions in millimeter

Radio frequency characteristics

Interface type	0.8 mm socket metrology grade per IEEE Std 287
Frequency range	DC to 150 GHz
Characteristic impedance	50 Ω
DC resistance	14 to 40 Ω
Average power rating	50 mW
Return loss	12 dB ± 7 dB
Repeatability, min.	45 dB

Mechanical characteristics

Inner conductor material / surface coating	CuBe age hardened / gold-plated
Outer conductor material / surface coating	CuBe / gold-plated copper alloy / gold-plated
Other parts material / surface coating	copper alloy / gold-plated
Weight, approx.	5 g
Marking	laser engraving

Environmental conditions

Operation	
Ambient temperature range	+18 to +28°C
Relative humidity, max.	95% (non-condensing)
Storage	
Ambient temperature range	-40 to +70°C
Relative humidity, max.	95% (non-condensing)

Scope of delivery and accessories

Scope of delivery	protective tube (38704A), certificate of calibration, calibration data, handling instructions
-------------------	--

SPINNER GmbH
 This document is proprietary to us.
 All rights reserved. Any use, transfer, or reproduction of this document
 or the know-how contained therein requires our express consent.



Mismatched termination; precision, 0.8 mm socket | BN 530847

Applicable documents

Handling instructions	M36081
-----------------------	--------

Calibration data

Calibration data in formats for common VNAs are included. It includes individual calibration coefficients to achieve the best possible performance.

The specifications for opens and shorts are given as allowed deviation from the nominal model.

SPINNER GmbH
This document is proprietary to us.
All rights reserved. Any use, transfer, or reproduction of this document
or the know-how contained therein requires our express consent.