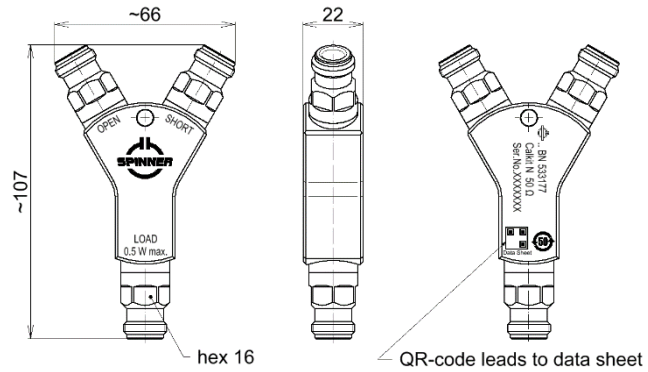


Calibration kit; OSL; Compact 3in1; N socket | BN 533177



all dimensions in millimeter

Radio frequency characteristics

| | | |
|--------------------------|-----------------------|---------------------------|
| Interface type | | N socket per IEC 61169-16 |
| Frequency range | | DC to 18 GHz |
| Characteristic impedance | | 50 Ω |
| OPEN | Phase deviation, max. | 2.5 deg. @ DC to 6 GHz |
| | | 3.5 deg. @ 6 to 9 GHz |
| | | 4.5 deg. @ 9 to 18 GHz |
| SHORT | Phase deviation, max. | 2.0 deg. @ DC to 6 GHz |
| | | 3.0 deg. @ 6 to 9 GHz |
| | | 3.5 deg. @ 9 to 18 GHz |
| LOAD | DC-resistance | 50 Ω ± 0.5 Ω |
| | Return loss, min. | 42 dB @ DC to 6 GHz |
| | | 30 dB @ 9 to 18 GHz |
| | Power rating, max. | 0.5 W |

SPINNER GmbH
 This document is proprietary to us.
 All rights reserved. Any use, transfer, or reproduction of this document
 or the know-how contained therein requires our express consent.

Calibration data

| Format | | Keysight (former Agilent) / Anritsu | Rohde & Schwarz |
|-------------|--------|---|--------------------------------------|
| OPEN | C0 | $0.8918 \times 10^{-15} \text{ F}$ | 0.8918 fF |
| | C1 | $-1200 \times 10^{-27} \text{ F/Hz}$ | -1.2 fF/GHz |
| | C2 | $85.41 \times 10^{-36} \text{ F/Hz}^2$ | $0.08541 \text{ fF}/(\text{GHz})^2$ |
| | C3 | $0.13 \times 10^{-45} \text{ F/Hz}^3$ | $0.00013 \text{ fF}/(\text{GHz})^3$ |
| | Offset | 85.954 ps | 25.77 mm |
| SHORT | L0 | $16.9 \times 10^{-12} \text{ H}$ | 16.9 pH |
| | L1 | $-5881 \times 10^{-24} \text{ H/Hz}$ | -5.881 pH/GHz |
| | L2 | $614.4 \times 10^{-33} \text{ H/Hz}^2$ | $0.6144 \text{ pH}/(\text{GHz})^2$ |
| | L3 | $-18.52 \times 10^{-42} \text{ H/Hz}^3$ | $-0.01852 \text{ pH}/(\text{GHz})^3$ |
| | Offset | 85.954 ps | 25.77 mm |
| Offset Loss | | 0.82 GΩ/s | |

Template TD-00002.docx | Issue AC

Calibration kit; OSL; Compact 3in1; N socket | BN 533177

Mechanical characteristics

| | |
|--|---------------------------------|
| Inner conductor material / surface coating | CuBe age hardened / gold-plated |
| Outer conductor material / surface coating | copper alloy / CuSnZn-plated |
| Dielectric material | PMP |
| Other parts material / surface coating | aluminium / anodized (blue) |
| Weight, approx. | 0.25 kg |
| Marking | laser engraving |

| Component Name | Toxic or Hazardous Substances and Elements | | | | | |
|----------------|--|----|----|-------|-----|------|
| | Pb | Hg | Cd | Cr 6+ | PBB | PBDE |
| Metal parts | X | O | O | O | O | O |

The environmental protection use period of 50 years is valid, if the product is used as intended.

Environmental conditions

| Operation | |
|---------------------------|----------------------|
| Ambient temperature range | +5 to +40°C |
| Relative humidity, max. | 95% (non-condensing) |
| Storage | |
| Ambient temperature range | -40 to +70°C |
| Relative humidity, max. | 95% (non-condensing) |

Scope of delivery and accessories

| | |
|-------------------|--|
| Scope of delivery | protective caps, handling instructions |
|-------------------|--|