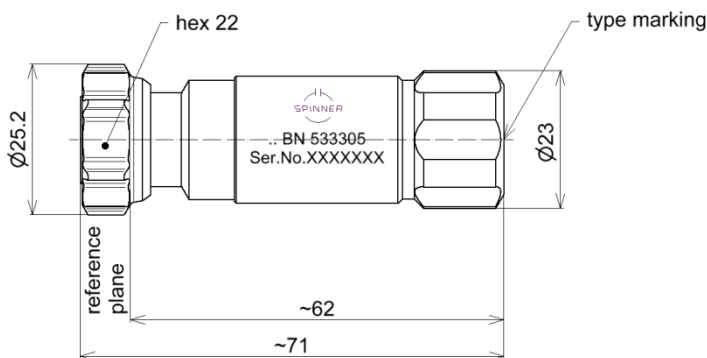


PRECISION SHORT || BN 533305R000



all dimensions in millimeter

**Radio frequency characteristics** <sup>1)</sup>

Interface type	4.3-10 plug per IEC 61169-54
Frequency range	DC to 12 GHz
Impedance	50 $\Omega$
Phase deviation, max.	1 deg. @ DC to 4 GHz 2 deg. @ 4 to 6 GHz 2.5 deg. @ 6 to 12 GHz

**General mechanical data**

Center conductor material / surface finish	CuBe age hardened / gold-plated
Outer conductor material / surface finish	copper alloy / gold-plated
Other metallic parts / surface finish	copper alloy / nickel-plated
Weight, approx.	0.1 kg
Marking	laser engraving

**General environmental conditions**

<b>Operation</b>	
Ambient temperature range	+18 to +28°C
<b>Storage</b>	
Ambient temperature range	-40 to +70°C
Relative humidity	0 - 95% at 40 °C, non condensing

**Scope of delivery and accessories**

Scope of delivery	certificate of calibration, calibration data, handling instructions
-------------------	---

<sup>1)</sup> The specifications for the short are given as allowed deviation from the nominal model as defined in the calibration data. Calibration data in formats for the common VNAs are included in the delivery. It includes offset length and individual calibration coefficients to achieve the best possible performance.