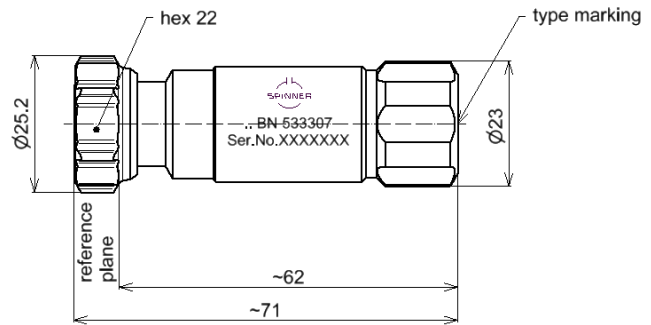


PRECISION LOAD || BN 533307R000



all dimensions in millimeter

Radio frequency characteristics

Interface type	4.3-10 plug per IEC 60169-54
Frequency range	DC to 12 GHz
Impedance	50 Ω
DC-resistance	50 Ω ±0.5 Ω
Return loss, min.	40 dB @ DC to 4 GHz 35 dB @ 4 to 6 GHz 30 dB @ 6 to 12 GHz
Power rating, max.	0.5 W

General mechanical data

Center conductor material / surface finish	CuBe age hardened / gold-plated
Outer conductor material / surface finish	copper alloy / gold-plated
Insulation	LCP
Other metallic parts / surface finish	copper alloy / nickel-plated stainless steel
Weight, approx.	0.13 kg
Marking	laser engraving

General environmental conditions

Operation	
Ambient temperature range	+18 to +28°C
Storage	
Ambient temperature range	-40 to +70°C
Relative humidity	95% (non condensing)

Scope of delivery and accessories

Scope of delivery	certificate of calibration, handling instructions
-------------------	---