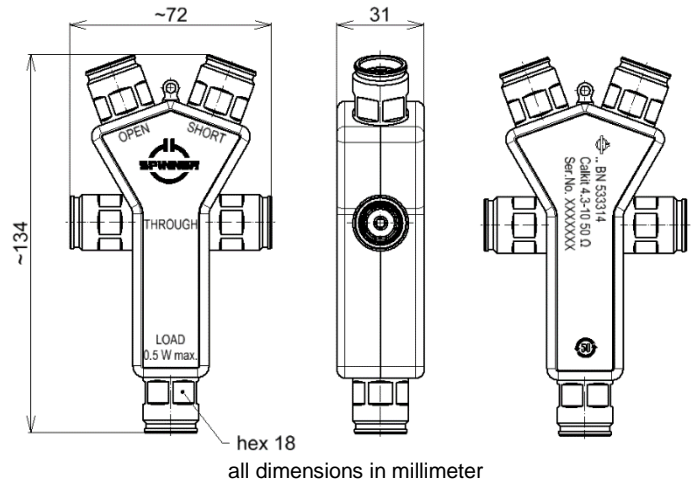


OSLT Compact Calibration Kit (4-in-1) || BN 533314



SPINNER GmbH  
 This document is proprietary to us.  
 All rights reserved. Any use, transfer, or reproduction of this document  
 or the know-how contained therein requires our express consent.

Radio frequency characteristics

Interface type		4.3-10 socket per IEC 61169-54
Frequency range		DC to 12 GHz
THROUGH	Return loss, min.	35 dB @ DC to 4 GHz 30 dB @ 4 to 6 GHz 25 dB @ 6 to 12 GHz
	Insertion loss, max.	$0.04 \text{ dB} \times \sqrt{f \text{ (GHz)}}$
OPEN	Phase deviation, max.	1.5 deg. @ DC to 4 GHz
		2.5 deg. @ 4 to 6 GHz
		3 deg. @ 6 to 12 GHz
SHORT	Phase deviation, max.	1 deg. @ DC to 4 GHz
		2 deg. @ 4 to 6 GHz
		2.5 deg. @ 6 to 12 GHz
LOAD	DC-resistance	$50 \Omega \pm 0.5 \Omega$
	Return loss, min.	40 dB @ DC to 4 GHz
		35 dB @ 4 to 6 GHz
		30 dB @ 6 to 12 GHz
Power rating, max.	0.5 W	

OSLT Compact Calibration Kit (4-in-1) || BN 533314

**Calibration data**

Format		Keysight (former Agilent) / Anritsu	Rohde & Schwarz
THROUGH	Electrical delay	238.832 ps	71.6 mm
OPEN	C0	$200 \times 10^{-15} \text{ F}$	200 fF
	C1	$-1180 \times 10^{-27} \text{ F/Hz}$	-1.18 fF/GHz
	C2	$450 \times 10^{-36} \text{ F/Hz}^2$	$0.45 \text{ fF}/(\text{GHz})^2$
	C3	$18 \times 10^{-45} \text{ F/Hz}^3$	$0.018 \text{ fF}/(\text{GHz})^3$
	Offset delay	95.166 ps	28.53 mm
SHORT	L0	$11.7 \times 10^{-12} \text{ H}$	11.7 pH
	L1	$-50 \times 10^{-24} \text{ H/Hz}$	-0.05 pH/GHz
	L2	$60 \times 10^{-33} \text{ H/Hz}^2$	$0.06 \text{ pH}/(\text{GHz})^2$
	L3	$-4 \times 10^{-42} \text{ H/Hz}^3$	$-0.004 \text{ pH}/(\text{GHz})^3$
	Offset delay	103.738 ps	31.1 mm
Offset loss		0.753 GΩ/s	

**Mechanical characteristics**

Center conductor material / surface finish	CuBe age hardened, copper alloy / gold-plated
Outer conductor material / surface finish	copper alloy / gold-plated
Insulation	LCP, cross linked polystyrene
Body	PC GF20 (black)
Other metallic parts / surface finish	aluminium / anodised (blue)
Weight, approx.	0.38 kg
Marking	laser engraving

Component Name	Toxic or Hazardous Substances and Elements					
	Pb	Hg	Cd	Cr 6+	PBB	PBDE
Metal parts	X	O	O	O	O	O

The environmental protection use period of 50 years is valid, if the product is used as intended.

**Environmental conditions**

<b>Operation</b>	
Ambient temperature range	+18 to +28°C
<b>Storage</b>	
Ambient temperature range	-40 to +70°C (in line with EN 60068-2-1 and EN 60068-2-2)

**Scope of delivery and accessories**

Scope of delivery	calibration certificate, protective caps, protective bag, data sheet, handling instructions
-------------------	---

SPINNER GmbH  
 This document is proprietary to us.  
 All rights reserved. Any use, transfer, or reproduction of this document  
 or the know-how contained therein requires our express consent.