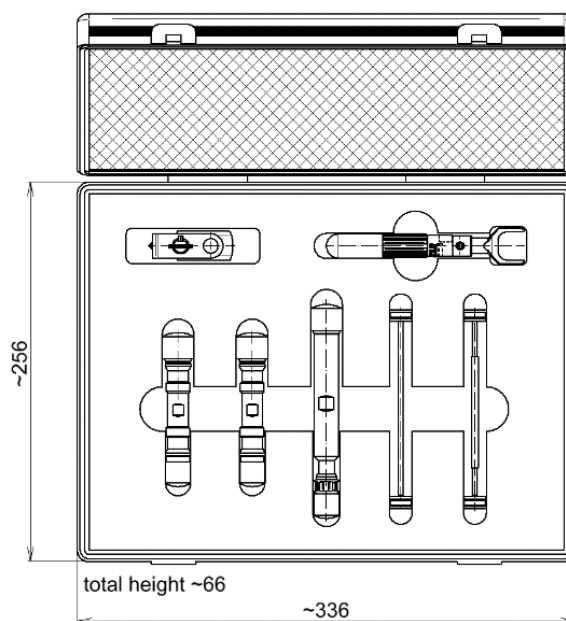


Verification Kit || BN 533480



all dimensions in millimeter

Radio frequency characteristics

Interface type		N plug and socket per IEEE Std 287	
Frequency range		DC to 18 GHz	
ATTENUATOR 20 dB (plug / socket)	Return loss, min.	34 dB @ DC to 4 GHz 28 dB @ 4 to 18 GHz	
	Insertion loss	20 dB ± 0.6 dB	
ATTENUATOR 40 dB (plug / socket)	Return loss, min.	34 dB @ DC to 4 GHz 26 dB @ 4 to 18 GHz	
	Insertion loss	40 dB ± 0.6 dB	
AIR LINE 50 Ω (plug / socket)	Outer conductor	Diameter	7 mm ± 0.005 mm
		Length	125 mm nominal
	Center conductor	Diameter	3.04 mm ± 0.004 mm
		Length	125 mm nominal
MISMATCH AIR LINE 25 Ω CENTER CONDUCTOR (plug / socket)		Diameter 50 Ω section	3.04 mm ± 0.007 mm
		Diameter 25 Ω section	4.613 mm ± 0.005 mm
		Length total	125 mm nominal
		Length 25 Ω section	75 mm nominal

Verification Kit || BN 533480

Mechanical characteristics

Center conductor material / surface finish	CuBe age hardened / gold-plated
Outer conductor material / surface finish	copper alloy / gold-plated
Insulation	PS, cross linked polystyrene
Other metallic parts / surface finish	CuBe / CuSnZn plated copper alloy / CuSnZn plated, nickel plated stainless steel
Weight, approx.	2.2 kg
Marking	laser engraving

Environmental conditions

Operation	
Ambient temperature range	+20 to +26°C ¹⁾
Storage	
Ambient temperature range	-40 to +70°C

¹⁾ Temperature range within all components maintain conformance to their specification.

Scope of delivery and accessories

Scope of delivery	calibration certificate, USB flash drive with calibration data and documentation, open end torque wrench AF 19 with torque setting 90 Ncm, aluminium storage case
-------------------	---