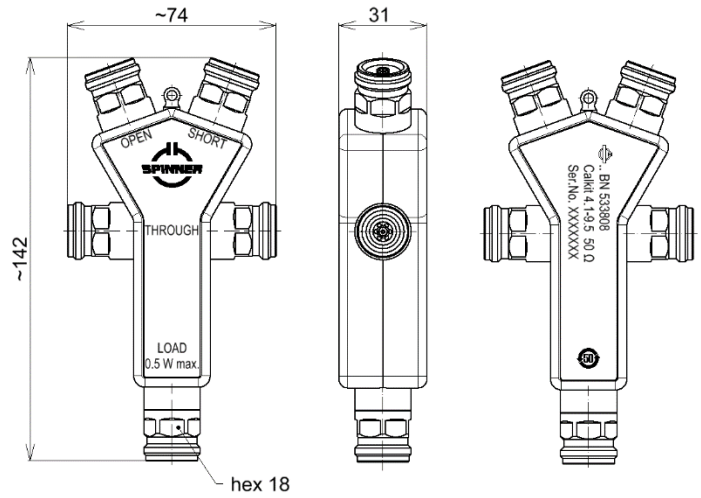


OSLT Compact Calibration Kit (4-in-1) || BN 533808



all dimensions in millimeter

SPINNER GmbH
 This document is proprietary to us. All rights reserved. Any use, transfer, or reproduction of this document or the know-how contained therein requires our express consent.

Radio frequency characteristics

Interface type		4.1-9.5 socket per IEC 60169-11
Frequency range		DC to 6 GHz
THROUGH	Return loss, min.	35 dB @ DC to 4 GHz 30 dB @ 4 to 6 GHz
	Insertion loss, max.	$0.04 \text{ dB} \times \sqrt{f \text{ (GHz)}}$
OPEN	Offset	see calibration data
SHORT	Offset	see calibration data
LOAD	DC-resistance	$50 \Omega \pm 0.5 \Omega$
	Return loss, min.	40 dB @ DC to 6 GHz
	Power rating, max.	0.5 W

OSLT Compact Calibration Kit (4-in-1) || BN 533808

Calibration Data

Format		Keysight (former Agilent) / Anritsu	Rohde & Schwarz
THROUGH	Electrical delay / length	216.65 ps	64.95 mm
OPEN	C0	$110 \times 10^{-15} \text{ F}$	110 fF
	C1	$200 \times 10^{-27} \text{ F/Hz}$	0.2 fF/GHz
	C2	$50 \times 10^{-36} \text{ F/Hz}^2$	$0.05 \text{ fF}/(\text{GHz})^2$
	C3	$0 \times 10^{-45} \text{ F/Hz}^3$	$0 \text{ fF}/(\text{GHz})^3$
	Offset	54.037 ps	16.2 mm
SHORT	L0	$0 \times 10^{-12} \text{ H}$	0 pH
	L1	$0 \times 10^{-24} \text{ H/Hz}$	0 pH/GHz
	L2	$0 \times 10^{-33} \text{ H/Hz}^2$	$0 \text{ pH}/(\text{GHz})^2$
	L3	$0 \times 10^{-42} \text{ H/Hz}^3$	$0 \text{ pH}/(\text{GHz})^3$
	Offset	59.374 ps	17.8 mm
Offset loss		0.79 GΩ/s	

Mechanical characteristics

Center conductor material / surface finish	CuBe age hardened, copper alloy / gold-plated
Outer conductor material / surface finish	copper alloy / gold-plated
Insulation	cross linked polystyrene
Body	PC GF20 (black)
Other metallic parts / surface finish	aluminium / anodised (blue) copper alloy / nickel-plated
Weight, approx.	0.40 kg
Marking	laser engraving

Component Name	Toxic or Hazardous Substances and Elements					
	Pb	Hg	Cd	Cr 6+	PBB	PBDE
Metal parts	X	O	O	O	O	O

The environmental protection use period of 50 years is valid, if the product is used as intended.

Environmental conditions

Operation	
Ambient temperature range	-10 to +55°C
Storage	
Ambient temperature range	-40 to +70°C (in line with EN 60068-2-1 and EN 60068-2-2)

Scope of delivery and accessories

Scope of delivery	calibration certificate, protective caps, protective bag, data sheet, handling instructions
-------------------	---