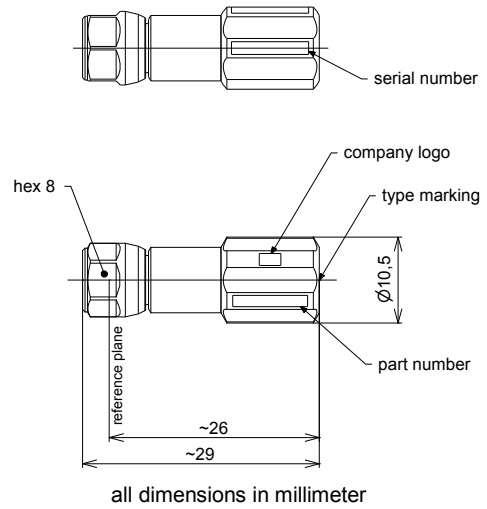


PRECISION SHORT || BN 533903R000



Radio frequency characteristics ¹⁾

Interface type	2.92 mm plug per IEEE Std 287
Frequency range	DC to 40 GHz
Impedance	50 Ω
Phase deviation, max.	0.5 deg. @ DC to 4 GHz 1 deg. @ 4 to 10 GHz 2 deg. @ 10 to 26.5 GHz 3 deg. @ 26.5 to 40 GHz

General mechanical data

Center conductor material / surface finish	CuBe age hardened / gold-plated
Outer conductor material / surface finish	CuBe / gold-plated
Other metallic parts / surface finish	copper alloy / gold plated CuBe / CuSnZn-plated stainless steel
Weight, approx.	0.01 kg
Marking	laser engraving

General environmental conditions

Operation	
Ambient temperature range	+18 to +28°C
Storage	
Ambient temperature range	-40 to +70°C
Relative humidity	0 - 95% at 40 °C, non condensing

Scope of delivery and accessories

Scope of delivery	certificate of calibration, calibration data, handling instructions
-------------------	---------------------------------------------------------------------

¹⁾ The specifications for the short are given as allowed deviation from the nominal model as defined in the calibration data. Calibration data in formats for the common VNAs are included in the delivery. It includes offset length and individual calibration coefficients to achieve the best possible performance.