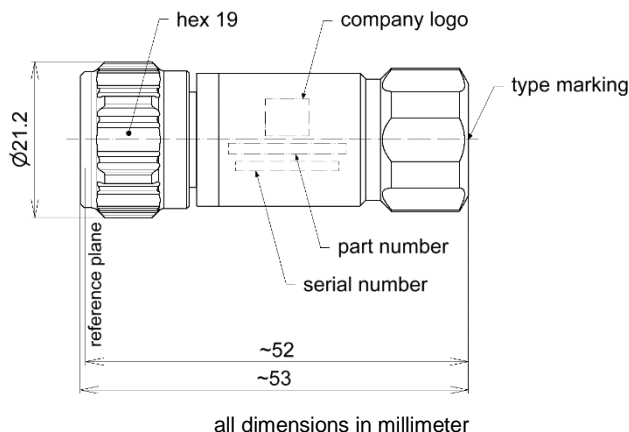


Short circuit termination; N plug | BN 533912R000



Radio frequency characteristics ¹⁾

Interface type	N plug per IEC 61169-16
Frequency range	DC to 18 GHz
Characteristic impedance	50 Ω
Reflection phase accuracy, min	1 deg @ DC to 4 GHz 1.25 deg @ 4 to 8 GHz 1.5 deg @ 8 to 12 GHz 2 deg @ 12 to 18 GHz

Mechanical characteristics

Inner conductor material / surface coating	CuBe age hardened / gold-plated
Outer conductor material / surface coating	copper alloy / gold-plated
Other parts material / surface coating	copper alloy / nickel-plated
Weight, approx.	0.08 kg
Marking	laser engraving

Environmental conditions

Operation	
Ambient temperature range	+18 to +28°C
Relative humidity, max.	95% (non-condensing)
Storage	
Ambient temperature range	-40 to +70°C
Relative humidity, max.	95% (non-condensing)

Scope of delivery and accessories

Scope of delivery	certificate of calibration, calibration data, protective tube, handling instructions
-------------------	--

¹⁾ The specifications for the short are given as allowed deviation from the nominal model as defined in the calibration data. Calibration data in formats for the common VNAs are included in the delivery. It includes offset length and individual calibration coefficients to achieve the best possible performance.