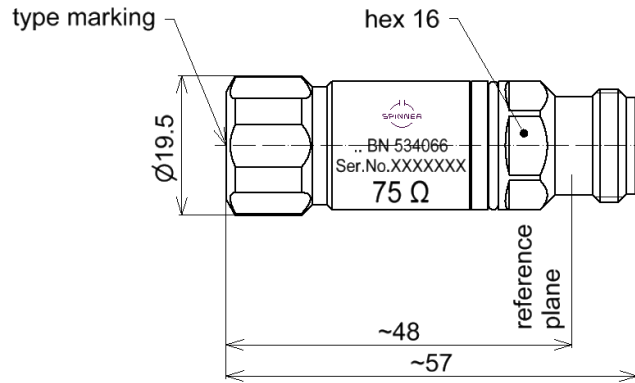


Precision Load || BN 534066R000



all dimensions in millimeter

Radio frequency characteristics

Interface type	N socket (75 ohms) per IEC 61169-16
Frequency range	DC to 20 GHz
Impedance	75 Ω
DC-resistance	75 Ω ± 0.75 Ω
Return loss, min.	38 dB @ DC to 4 GHz
	34 dB @ 4 to 8 GHz
	30 dB @ 8 to 12 GHz
	25 dB @ 12 to 20 GHz
Power rating, max.	0.5 W

Mechanical characteristics

Center conductor material / surface finish	CuBe age hardened / gold-plated
Outer conductor material / surface finish	copper alloy / gold-plated
Insulation	PS
Other metallic parts / surface finish	copper alloy / nickel-plated stainless steel
Weight, approx.	0.13 kg
Marking	laser engraving

Environmental conditions

Operation	
Ambient temperature range	+18 to +28°C
Storage	
Ambient temperature range	-40 to +70°C
Relative humidity	95% (non-condensing)

Scope of delivery and accessories

Scope of delivery	certificate of calibration, handling instructions
-------------------	---

SPINNER GmbH
 This document is proprietary to us.
 All rights reserved. Any use, transfer, or reproduction of this document
 or the know-how contained therein requires our express consent.