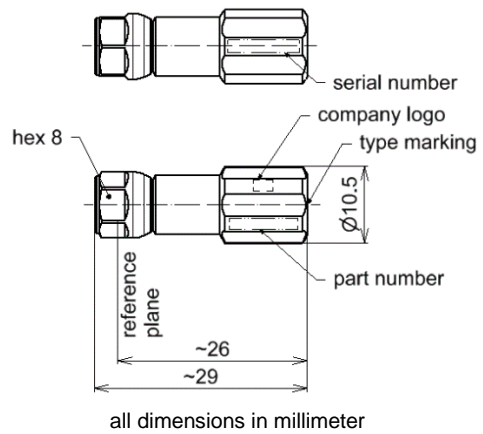


Precision Open || BN 534905R000



Radio frequency characteristics ²⁾

Interface type	2.92 mm plug per IEEE Std 287 ¹⁾
Frequency range	DC to 44 GHz
Impedance	50 Ω
Phase deviation, max.	0.75 deg. @ DC to 4 GHz 1.5 deg. @ 4 to 10 GHz 2.5 deg. @ 10 to 26.5 GHz 3.5 deg. @ 26.5 to 44 GHz

1) In preparation of the upcoming new version of the IEEE Std. 287 the open has a pin diameter of 0.927 mm. Usage with female connectors designed for a pin diameter of 0.914 mm results in an increase of the phase deviation of typically 1°.

Mechanical characteristics

Center conductor material / surface finish	CuBe age hardened / gold-plated
Outer conductor material / surface finish	CuBe / gold-plated
Insulation	PS
Other metallic parts / surface finish	copper alloy / gold-plated CuBe / CuSnZn-plated
Weight, approx.	0.01 kg
Marking	laser engraving

Environmental conditions

Operation	
Ambient temperature range	+18 to +28°C
Storage	
Ambient temperature range	-40 to +70°C
Relative humidity, max.	95% (non condensing)

Scope of delivery and accessories

Scope of delivery	certificate of calibration, calibration data, handling instructions
-------------------	---

2) The specifications for the open are given as allowed deviation from the nominal model as defined in the calibration data. Calibration data in formats for the common VNAs are included in the delivery. It includes offset length and individual calibration coefficients to achieve the best possible performance.

SPINNER GmbH
This document is proprietary to us.
All rights reserved. Any use, transfer, or reproduction of this document
or the know-how contained therein requires our express consent.