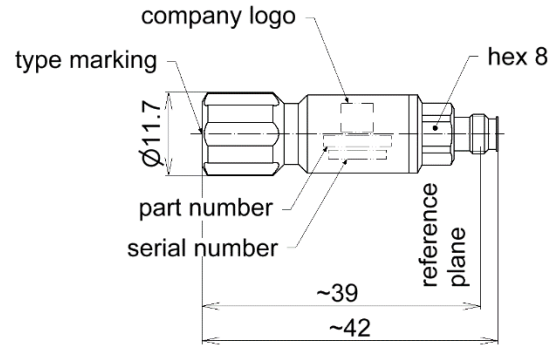


Precision Load || BN 534928R000



all dimensions in millimeter

Radio frequency characteristics

Interface type	1.35 mm socket per IEEE Std 287
Frequency range	DC to 90 GHz
Impedance	50 Ω
DC-Resistance	50 Ω ± 0.5 Ω
Return loss, min.	31 dB @ DC to 10 GHz 25 dB @ 10 to 26.5 GHz 20 dB @ 26.5 to 50 GHz 14 dB @ 50 to 70 GHz 10 dB @ 70 to 90 GHz
Power rating, max.	0.1 W

Mechanical characteristics

Center conductor material / surface finish	CuBe age hardened / gold-plated
Outer conductor material / surface finish	CuBe, copper alloy / gold-plated
Insulation	PS
Other metallic parts / surface finish	CuBe / CuSnZn-plated copper alloy / gold-plated
Weight, approx.	0.02 kg
Marking	laser engraving

Environmental conditions

Operation	
Ambient temperature range	+18 to +28°C
Storage	
Ambient temperature range	-40 to +70°C
Relative humidity	95% (non-condensing)

Scope of delivery and accessories

Scope of delivery	certificate of calibration, handling instructions
-------------------	---

SPINNER GmbH
 This document is proprietary to us.
 All rights reserved. Any use, transfer, or reproduction of this document
 or the know-how contained therein requires our express consent.