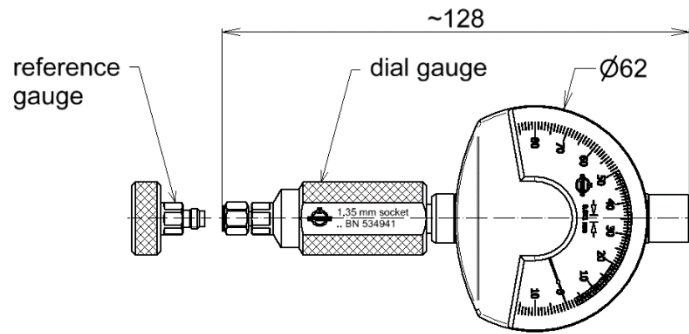


Dial Gauge || BN 534941



all dimensions in millimeter

**Mechanical characteristics**

Interface type	1.35 mm socket (50 Ω) per IEEE Std 287	
Accuracy level	Grade 0	Grade 1
Range of tolerance	0.017 mm	0.047 mm
Pin offset	0.003 to 0.02 mm	0.003 to 0.05 mm
Gauge range	0.1 mm	
Scale marking	0.001 mm	
Measurement accuracy	0.003 mm	
Dial gauge material	stainless steel, no finish	
Reference gauge material	stainless steel, no finish	
Weight, approx.	0.3 kg	
Marking	laser engraving	
Handling instructions	M36498	
Scope of delivery	dial gauge, reference gauge, storage box, handling instructions, factory calibration certificate	

**Environmental conditions**

<b>Operation</b>	
Ambient temperature range	+18 to +28°C
Relative humidity, max.	95% (non-condensing)
IP protection level	IP40 per EN 60529
<b>Storage</b>	
Ambient temperature range	-30 to +50°C
Relative humidity, max.	95% (non-condensing)

SPINNER GmbH  
 This document is proprietary to us.  
 All rights reserved. Any use, transfer, or reproduction of this document  
 or the know-how contained therein requires our express consent.