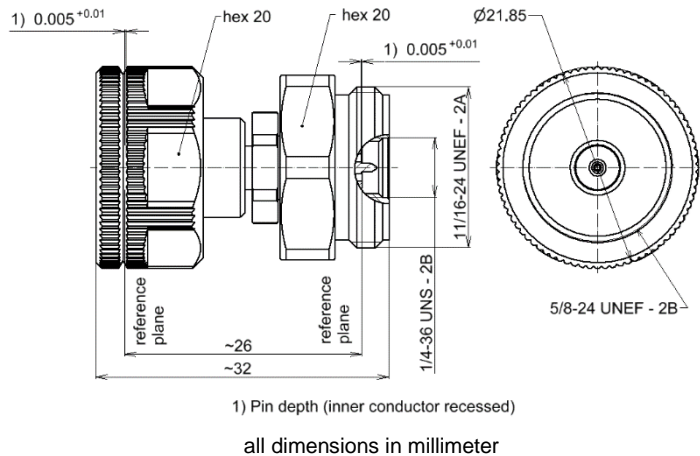


Inter-Series Adapter || BN 535113



**Radio frequency characteristics**

Interface type	2.92 mm plug per IEEE Std 287 <sup>2)</sup> , ruggedized by enlarged thread / 1.85 mm socket per IEC 61169-32, ruggedized by enlarged thread
Frequency range	DC to 44 GHz
Impedance	50 Ω
Return loss, min.	32 dB @ DC to 4 GHz 28 dB @ 4 to 18 GHz 23 dB @ 18 to 32 GHz 20 dB @ 32 to 44 GHz

2) In preparation of the upcoming new version of the IEEE Std. 287 the adaptor is defined for a pin diameter of 0.927 mm. Usage with male connectors with pin diameters of 0.914 mm results in an increase of the reflection factor magnitude of typically 0.02

**Mechanical characteristics**

Inner conductor material / surface finish	beryllium copper, age hardened / gold-plated
Outer conductor material / surface finish	beryllium copper / gold-plated
Other metallic parts / surface finish	beryllium copper / nickel-plated
Weight, approx.	0.04 kg
Marking	laser engraving
Torque for ruggedized coupling nut	1/4-36 UNS - 2B: 0.45 N·m
	11/16-24 UNEF - 2A: 1.3 N·m

**Environmental conditions**

<b>Operation</b>	
Ambient temperature range	+18 to +28°C
<b>Storage</b>	
Ambient temperature range	-40 to +70°C
Relative humidity	95% (non-condensing)

**Scope of delivery and accessories**

Scope of delivery	protective caps
-------------------	-----------------

This document is proprietary to us. All rights reserved. Any use, transfer, or reproduction of this document or the know-how contained therein requires our express consent.

SPINNER GmbH  
 All rights reserved. Any use, transfer, or reproduction of this document or the know-how contained therein requires our express consent.

Template TD-00002Y