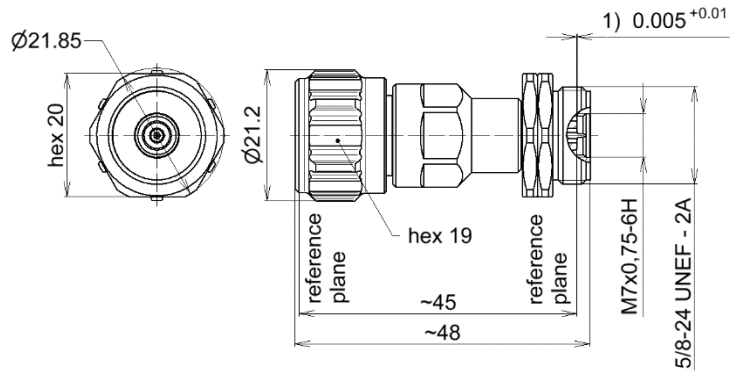


Inter-Series Adapter || BN 535115



1) Pin depth (inner conductor recessed)

all dimensions in millimeter

Radio frequency characteristics

Interface type	N plug per IEC 61169-16 / 2.4 mm plug per IEEE Std 287, ruggedized by enlarged thread
Frequency range	DC to 18 GHz
Impedance	50 Ω
Return loss, min.	38 dB @ DC to 2 GHz 34 dB @ 2 to 6 GHz 28 dB @ 6 to 12 GHz 23 dB @ 12 to 18 GHz

Mechanical characteristics

Inner conductor material / surface finish	beryllium copper, age hardened / gold-plated
Outer conductor material / surface finish	beryllium copper / gold-plated
Other metallic parts / surface finish	beryllium copper / nickel-plated copper alloy / CuSnZn-plated
Weight, approx.	0.04 kg
Marking	laser engraving
Torque for ruggedized coupling nut	M7x0.75 - 6H: 0.45 N·m
	5/8-24 UNEF - 2A: 1.3 N·m

Environmental conditions

Operation	
Ambient temperature range	+18 to +28°C
Storage	
Ambient temperature range	-40 to +70°C
Relative humidity	95% (non-condensing)

Scope of delivery and accessories

Scope of delivery	protective caps
-------------------	-----------------

This document is proprietary to us. All rights reserved. Any use, transfer, or reproduction of this document or the know-how contained therein requires our express consent.

SPINNER GmbH
All rights reserved. Any use, transfer, or reproduction of this document or the know-how contained therein requires our express consent.

Template TD-00002Y