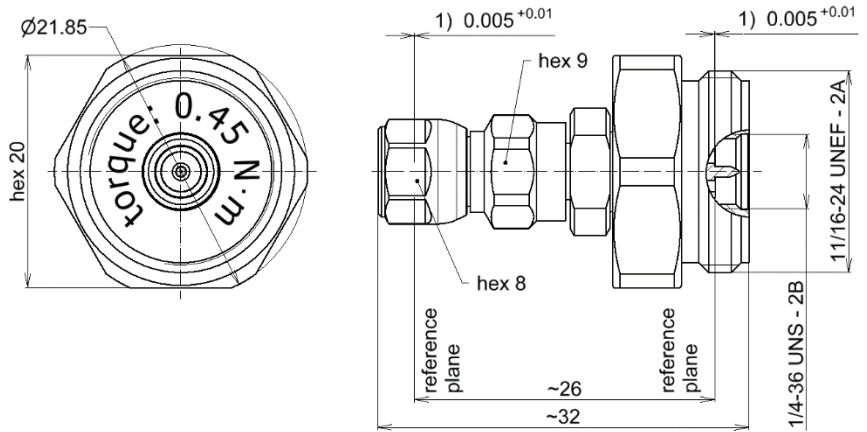


Precision Adapter || BN 535124



1) Pin depth (inner conductor recessed)

all dimensions in millimeter

Radio frequency characteristics

Interface type	3.5 mm plug, ruggedized by enlarged thread / 3.5 mm plug per IEC 60169-23
Frequency range	DC to 33 GHz
Impedance	50 Ω
Return loss, min.	34 dB @ DC to 4 GHz 30 dB @ 4 to 26.5 GHz 26 dB @ 26.5 to 33 GHz

Mechanical characteristics

Inner conductor material / surface finish	beryllium copper, age hardened / gold-plated
Outer conductor material / surface finish	beryllium copper / gold-plated
Other metallic parts / surface finish	beryllium copper / CuSnZn-plated copper alloy / nickel-plated stainless steel
Weight, approx.	0.04 kg
Marking	laser engraving
Torque for ruggedized coupling nut	1/4-36 UNS - 2B: 0.45 N·m
	11/16-24 UNEF - 2A: 1.3 N·m

Environmental conditions

Operation	
Ambient temperature range	+18 to +28°C
Storage	
Ambient temperature range	-40 to +70°C
Relative humidity	95% (non-condensing)

Scope of delivery and accessories

Scope of delivery	protective caps, data sheet
-------------------	-----------------------------

This document is proprietary to us. All rights reserved. Any use, transfer, or reproduction of this document or the know-how contained therein requires our express consent.

SPINNER GmbH
 Template TD-00002Y