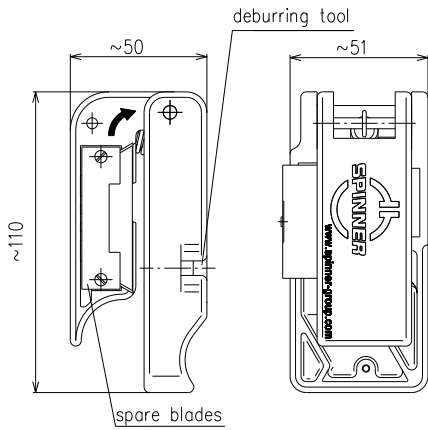


Trimming Tool SF12-50 || BN 541334



all dimensions in millimeter

Cable type	SF 1/2"-50	
Connector type	CAF®	
Material		
Plastic parts	Polycarbonate with 20% GF	
Blades	stainless steel / no finish	
Spring and pins	stainless steel / no finish	
Colour	blue	
Cable compatibility	RFS	SCF 12-50, UCF 12-50
Installation instructions	M30780	
Weight, approx.	200 g	
Scope of delivery	Spare blades, installation instructions	