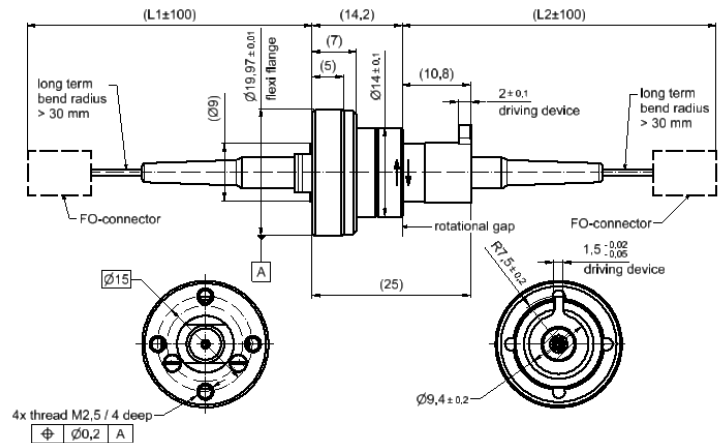


Rotary Joint || BN 549383C0104 || RO01-GS-LCA-1515-FVT



all dimensions in millimeter

Fiber optic channel characteristics

Channels	1 CH
Channel designation	1
FO connector / material	LC-APC / ceramic
Fiber type	Singlemode E9 / 125 µm / 900 µm buffer
Fiber length (L1 / L2)	1500 mm / 1500 mm
Wavelength	1310 nm / 1550 nm
Average power capability, max.	200 mW / 23 dBm
Return loss, min. / typ.	50 dB / 55 dB
Insertion loss, max.	1.0 dB
Insertion loss variation over rotation, max.	0.5 dB

Rotary Joint || BN 549383C0104 || RO01-GS-LCA-1515-FVT

Mechanical characteristics

Rotating speed, max. / nominal	3000 rpm / 2000 rpm
Life, min.	200 x 10 ⁶ revolutions
Torque (room temperature), max.	0.06 Nm @ rotation
Interface loads, max.	no loads allowed
Case material	copper alloy, corrosion resistant
Case surface finish	no finish
IP protection level	IP54 per EN 60529 (all interfaces connected with appropriate gaskets)
Weight, 2pprox..	0.04 kg
Marking	laser engraving

Environmental conditions

Operation	
Ambient temperature range	-40 °C to +85 °C
Relative humidity, max.	95% (non-condensing)
Storage	
Ambient temperature range	-40 °C to +85 °C
Relative humidity, max.	95% (non-condensing)

Applicable documents

Technical information	"Rotary Joints – Glossary", Technical Document TD-00021, Spinner GmbH
-----------------------	---