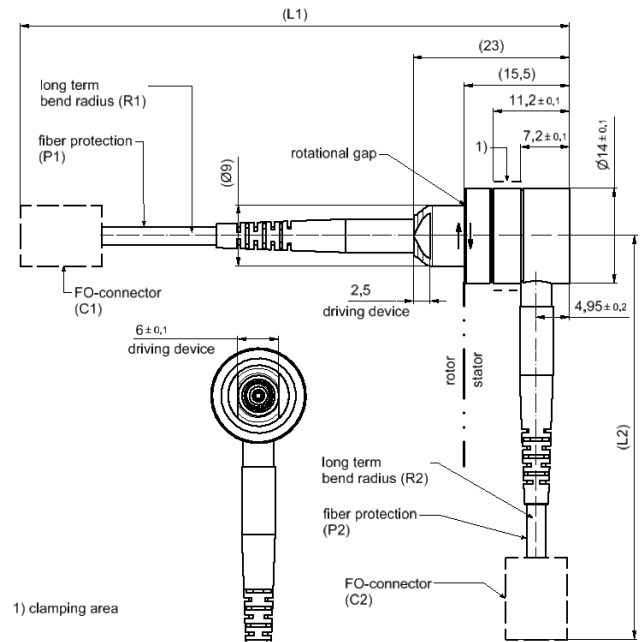


Rotary Joint || BN 549390C0102



all dimensions in millimeter

Fiber optic channel characteristics

Channels	1 CH	
Channel designation	1	
Fiber type	Multimode G50 / 125 μm	
Side	Rotor	Stator
FO connector (C1 / C2)	ST/PC	ST/PC
Fiber protection (P1 / P2)	cable 3 mm	cable 3 mm
Fiber length (L1 / L2)	1500 ± 100 mm	1500 ± 100 mm
Long term bend radius, min. (R1 / R2)	30 mm	30 mm
Wavelength	850 nm / 1300 nm	
Average power capability, max.	10 mW / 10 dBm	
Insertion loss, max.	2.0 dB @ 1300 nm 4.0 dB @ 850 nm	
Insertion loss variation over rotation, max.	0.5 dB	

SPINNER GmbH | This document is proprietary to us. All rights reserved. Any use, transfer, or reproduction of this document or the know-how contained therein requires our express consent.

Template TD-00002U

Rotary Joint || BN 549390C0102

Mechanical characteristics

Rotating speed rotor, max.	3000 rpm
Rotating speed stator, max.	150 rpm
Life, min.	200 x 10 ⁶ revolutions
Torque (room temperature), max.	0.06 Nm @ rotation
Interface loads, max.	no loads allowed
Case material	copper alloy, corrosion resistant
Case surface finish	no finish
IP protection level	IP54 per EN 60529 (all interfaces connected with appropriate gaskets)
Weight, approx.	0.1 kg
Marking	laser engraving (SPINNER Logo)

Environmental conditions

Operation	
Ambient temperature range	-40 °C to +85 °C
Relative humidity, max.	95% (non-condensing)
Storage	
Ambient temperature range	-40 °C to +85 °C
Relative humidity, max.	95% (non-condensing)

Applicable documents

Technical information	"Rotary Joints – Glossary", Technical Document TD-00021, Spinner GmbH
-----------------------	---

SPINNER GmbH | This document is proprietary to us. All rights reserved. Any use, transfer, or reproduction of this document or the know-how contained therein requires our express consent.

Template TD-00002U