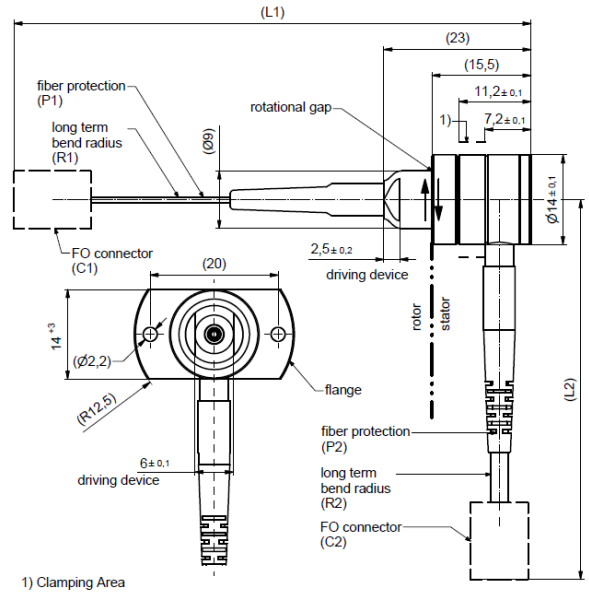
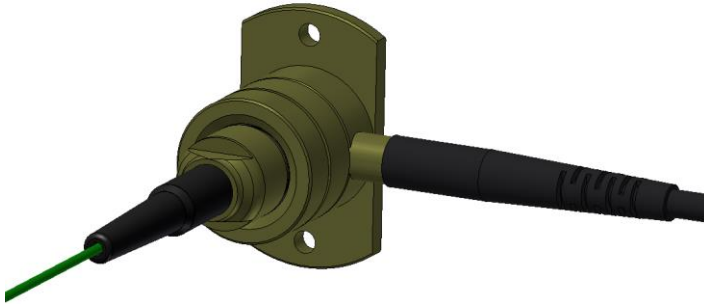


Rotary Joint || BN 549390C0104



1) Clamping Area

all dimensions in millimeter

Fiber optic channel characteristics

Channels	1 CH	
Channel designation	1	
Fiber type	Multimode G62.5 / 125 µm	
Side	Rotor	Stator
FO connector (C1 / C2)	LC-PC	LC-PC
Fiber protection (P1 / P2)	900 µm buffer	cable 2.7 mm
Fiber length (L1 / L2)	300 ± 50 mm	300 ± 50 mm
Long term bend radius, min. (R1 / R2)	30 mm	30 mm
Wavelength	850 nm	
Average power capability, max.	10 mW / 10 dBm	
Insertion loss, max./ typ.	4.0 dB / 2.0 dB	
Insertion loss variation over rotation, max.	1.0 dB	

Rotary Joint || BN 549390C0104

Mechanical characteristics

Rotating speed rotor, max. / nominal	3000 rpm / 2000 rpm
Rotating speed stator, max. / nominal	150 rpm / 100 rpm
Life, min.	200 x 10 ⁶ revolutions
Torque (room temperature), max.	0.06 Nm @ rotation
Interface loads, max.	no loads allowed
Case material	copper alloy, corrosion resistant
Case material	copper alloy, aluminum alloy, corrosion resistant
Case surface finish	no finish
IP protection level	IP54 per EN 60529 (all interfaces connected with appropriate gaskets)
Weight, approx.	0.06 kg
Marking	laser engraving (SPINNER logo)

Environmental conditions

Operation	
Ambient temperature range	-40 °C to +71 °C
Relative humidity, max.	95% (non-condensing)
Storage	
Ambient temperature range	-40 °C to +71 °C
Relative humidity, max.	95% (non-condensing)

Applicable documents

Technical information	"Rotary Joints – Glossary", Technical Document TD-00021, Spinner GmbH
-----------------------	---