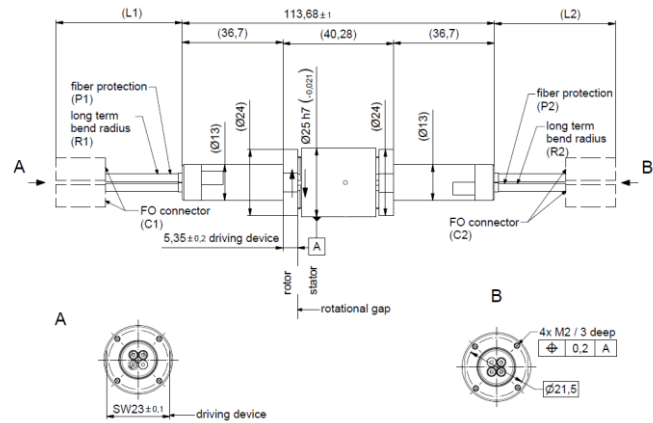
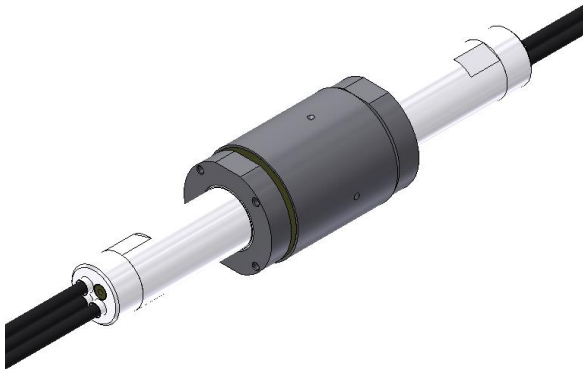


Rotary Joint || BN 549765C0302



all dimensions in millimeter

Fiber optic channel characteristics

Channels	3 CH	
Channel designation	1 to 3	
Fiber type	Singlemode E9 / 125 µm	
Side	Rotor	Stator
FO connector (C1 / C2)	SC/APC	FC/APC
Fiber type/Fiber protection (P1 / P2)	cable 3 mm	cable 3 mm
Fiber length (L1 / L2)	740 ±50 mm	4500 <sup>+150</sup> mm
Long term bend radius, min. (R1 / R2)	30 mm	30 mm
Wavelength	1310 nm / 1550 nm	
Average power capability, max.	200 mW / 23 dBm	
Return loss, min.	50 dB	
Insertion loss, max.	3.5 dB	
Insertion loss variation over rotation, max.	1.5 dB	
Cross talk, min.	50 dB (between all channels)	

This document is proprietary to us. All rights reserved. Any use, transfer, or reproduction of this document or the know-how contained therein requires our express consent.

SPINNER GmbH  
 Template TD-00002U

Rotary Joint || BN 549765C0302

**Mechanical characteristics**

Rotating speed, max.	300 rpm
Life, target	200 x 10 <sup>6</sup> revolutions
Torque (room temperature), max.	0.3 Nm @ rotation
Case material	stainless steel and aluminum, corrosion resistant
Case surface finish	no finish
IP protection level	IP65 per EN 60529 (all interfaces connected with appropriate gaskets)
Weight, approx.	0.15 kg
Marking	laser engraving (SPINNER logo)

**Environmental conditions**

<b>Operation</b>	
Ambient temperature range	-40 °C to +85 °C
Relative humidity, max.	99%
<b>Storage</b>	
Ambient temperature range	-40 °C to +85 °C
Relative humidity, max.	99%

**Applicable documents**

Technical information	"Rotary Joints – Glossary", Technical Document TD-00021, Spinner GmbH
-----------------------	---

SPINNER GmbH  
 This document is proprietary to us.  
 All rights reserved. Any use, transfer, or reproduction of this document  
 or the know-how contained therein requires our express consent.