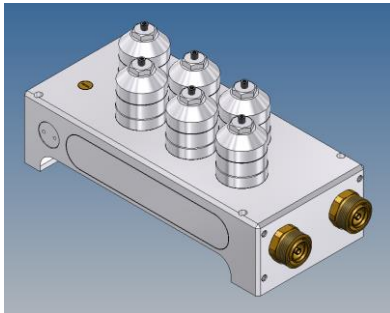
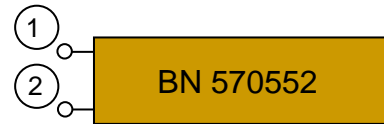


Bandstop Filter for GSM 900



Not binding



block diagram

<b>Part number</b>	<b>BN 570552</b>		
Connectors	7-16 socket (50 Ohms)		
Frequency range	Passband	880 – 960 MHz	
	Stopband	5 – 20 MHz tunable	
Isolation	Stop band width 5 MHz > 50 dB	Stop band width 10 MHz > 40 dB	Stop band width 20 MHz > 35 dB
Insertion loss	Band gap 2 – 3 MHz ≤ 3 dB (typ. 0.5 dB)	Band gap 3 – 5 MHz ≤ 2.5 dB (typ. 0.5 dB)	Band gap > 5 MHz ≤ 1.5 dB (typ. 0.5 dB)
VSWR	≤ 1.35		
Power rating	100 W (CW)		
DC-by-pass	Max. 1A per input max. 60V DC(AISG Standard, 2.0, § 6.4)		
IM – value 3rd order @ 2 x 20 W	≤ -150 dBc   typical: ≤ -155 dBc		
Degree of protection	IP 65 outdoor		
Class. of environmental conditions	ETSI EN 300019-1-1 Class 1.2 ETSI EN 300019-1-2 Class 2.3 ETSI EN 300019-1-4 Class 4.1E		
Weight	5.0 kg		
Temperature range	-10 – +65 °C		
Wall / Mast mounting	to be ordered separately under BN B16603		