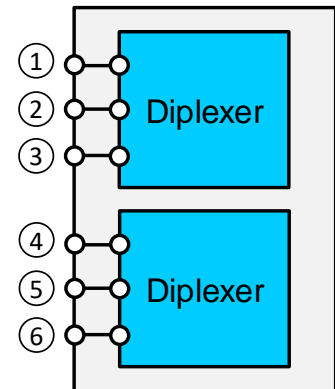
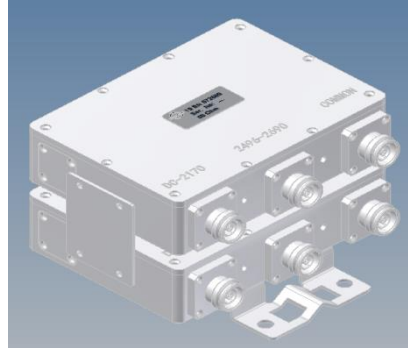
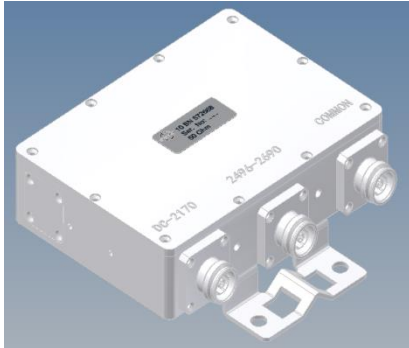


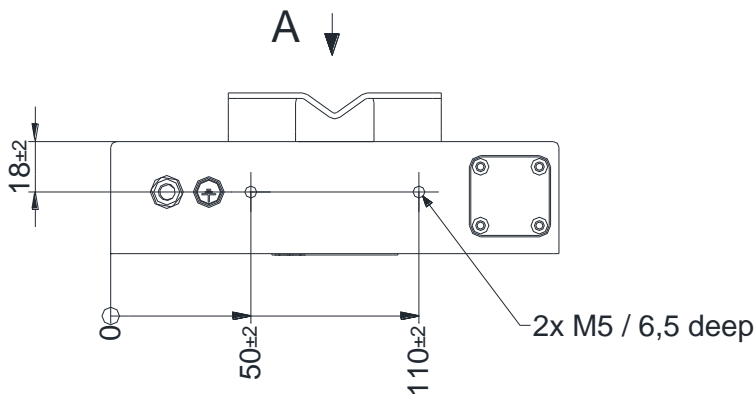
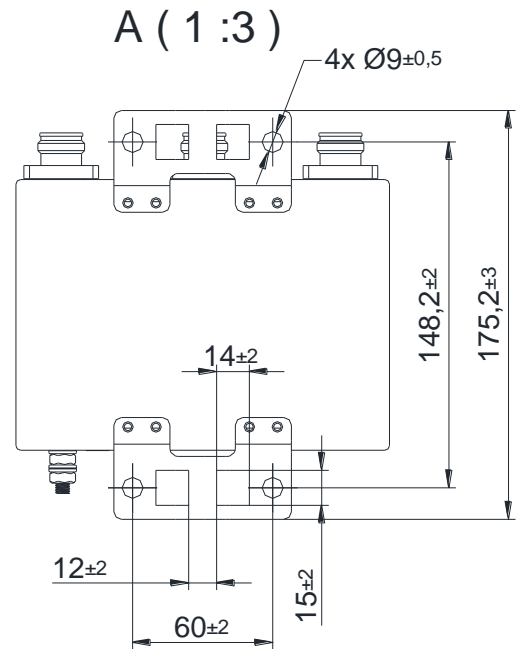
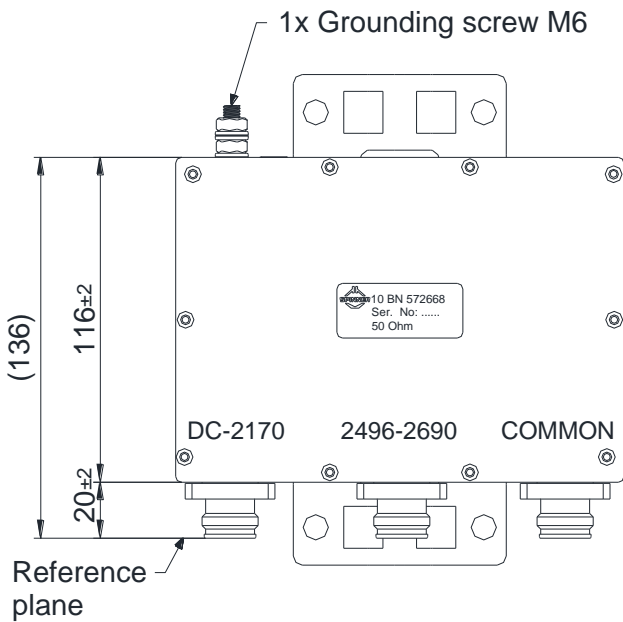
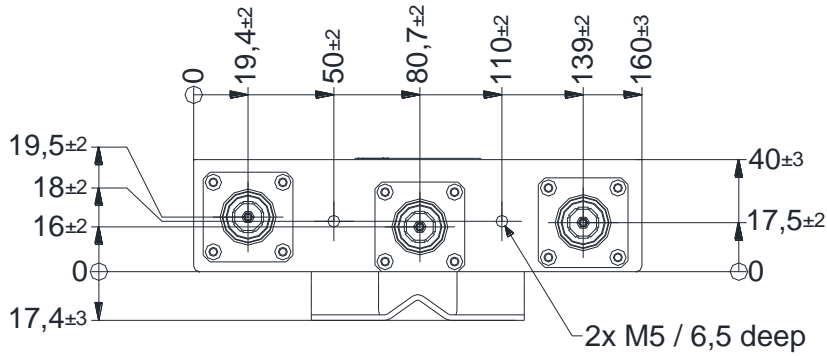
Diplexer DC-2170 / 2496-2690 MHz



Single Unit

Part number	BN 572668	BN 572669
Version	Single	Double
Connectors	4.3-10 socket (50 Ohms)	
Frequency range	DC – 2170 MHz 2496 – 2690 MHz	
Insertion loss	Port 1,4 Port 2,5 Port 1,2 -> Port 3 Port 4,5 -> Port 6 ≤ 0.3 dB	
Isolation	Port 1 <-> Port 2 Port 4 <-> Port 5 ≥ 50 dB	
VSWR	≤ 1.25	
Power rating	Port 1,4 Port 2,5 500 W (CW) max. 100 W (CW) max.	
IM – value 3rd order @ 2 x 20W	≤ -160 dBc	
DC-by-pass	Port 1 <-> Port 3 Port 4 <-> Port 6 (max. 1A per input max. 60V DC(AISG Standard, 2.0, § 6.4))	
Surge Protection	N/A	
Degree of protection	IP 67	
Environmental conditions	ETSI EN 300019-1-1 Class 1.2 ETSI EN 300019-1-2 Class 2.3 ETSI EN 300019-1-4 Class 4.1E	
Weight	2.5 kg	5.5 kg
Paint color	gray	
Wall / Mast mounting	part of delivery	
Temperature range	-40°C – +55 °C	
Dimensions (w x h x d) (with mounting kit)	160 x 58 x 176 mm	162 x 108 x 176 mm

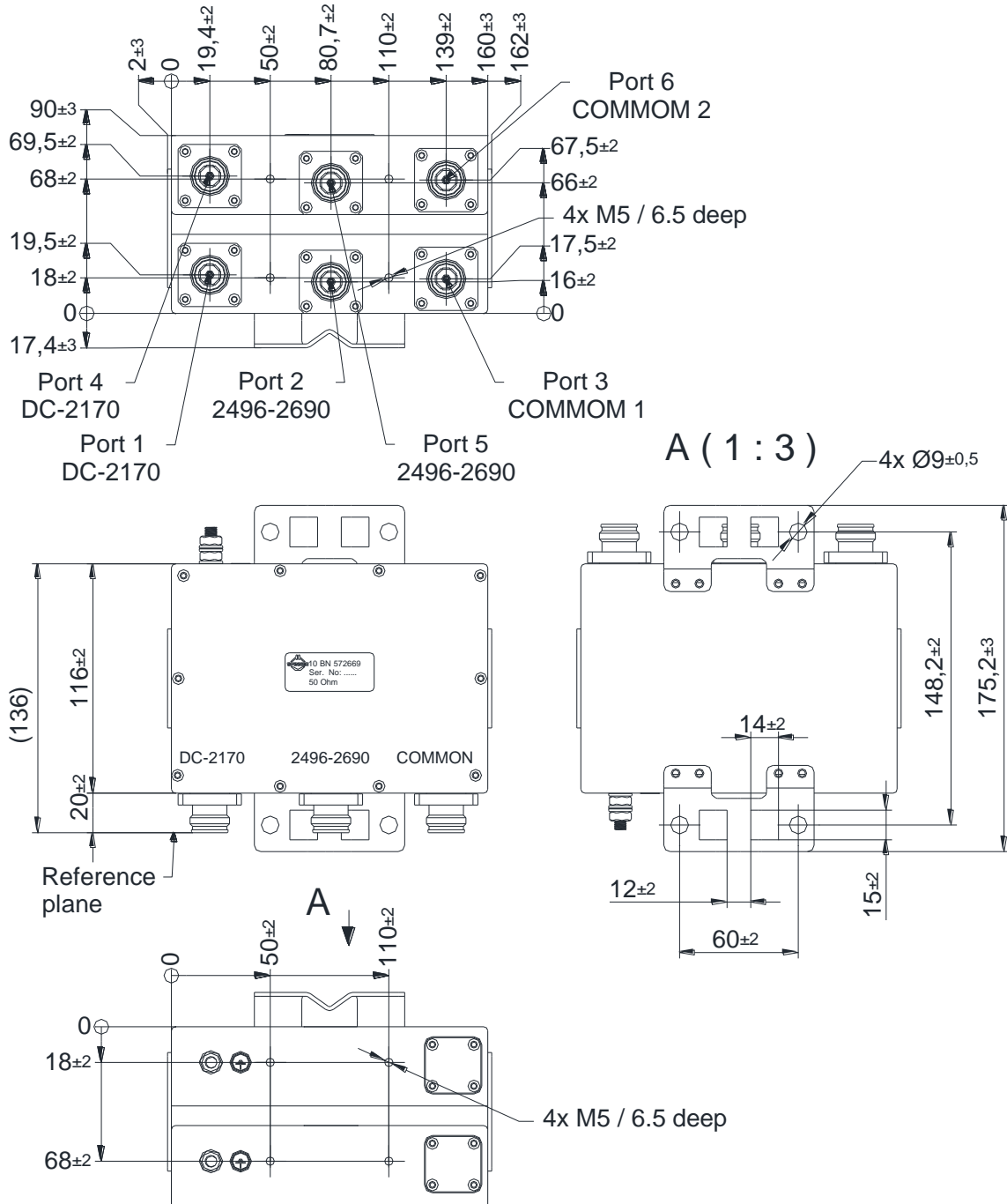
Dimensions:



Standard:

4.3-10 female (50 ohms): IEC 61169-54;

modifications reserved



Standard:

4.3-10 female (50 ohms): IEC 61169-54;

modifications reserved