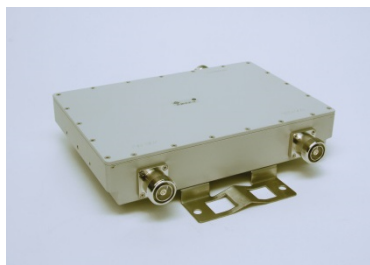
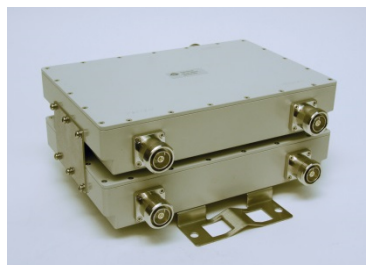


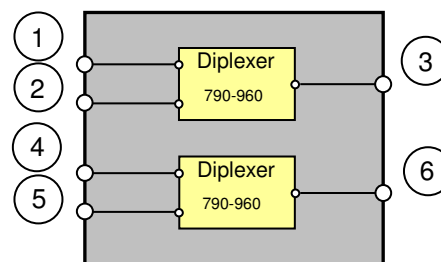
Diplexer LTE800 / GSM900



single unit



double unit



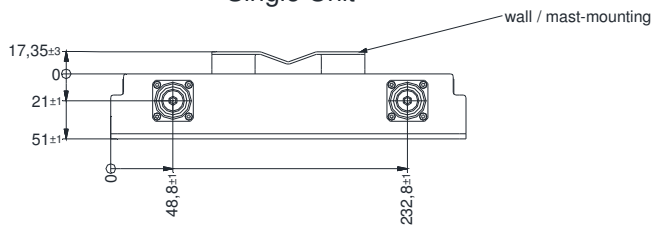
Block Diagram

Part number	BN 576109	BN 576110	BN576111	BN576112	BN 576113	BN 576114
Version	double	double	double	single	single	single
Connectors	7-16 female (50 Ohms)					
Frequency range	790 – 862 MHz (LTE800) 880 – 960 MHz (GSM900)					
Port 1, 4	790 – 862 MHz (LTE800)					
Port 2, 5	880 – 960 MHz (GSM900)					
Insertion loss	≤ 0.4 dB (typ. 0.25 dB)					
Isolation	≥ 50 dB (typ. 55 dB)					
VSWR	≤ 1.25 (typ. 1.2)					
Power rating (all inputs)	300 W CW					
DC by-pass	all inputs	port 2, 5	port 1, 4	all inputs	port 2	port 1
	max. 1A per input max. 60V DC (AISG Standard, 2.0, § 6.4)					
Intermodulation products 3rd order @ 2 x 20 W	≤ -160 dBc   typical ≤ -165 dBc					
Degree of protection mated / 1bar, 1h, ≤18°C	IP 68 outdoor					
Environmental conditions:	ETSI EN 300019-1-1 Class 1.2 ETSI EN 300019-1-2 Class 2.3 ETSI EN 300019-1-4 Class 4.1E					
Weight:	8 kg	8 kg	8 kg	4 kg	4 kg	4 kg
Mounting:	Part of delivery					
Temperature range:	-40 °C – +65 °C					

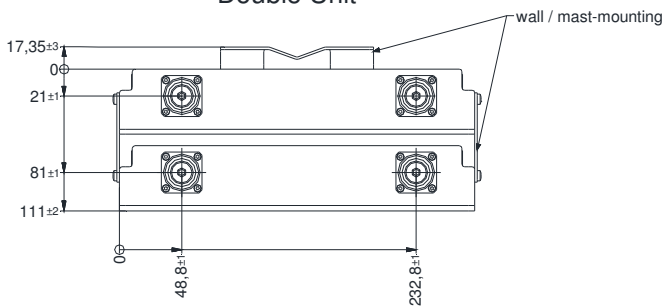
Dimensions:

A (1 : 3)

Single Unit



Double Unit



A ↓

