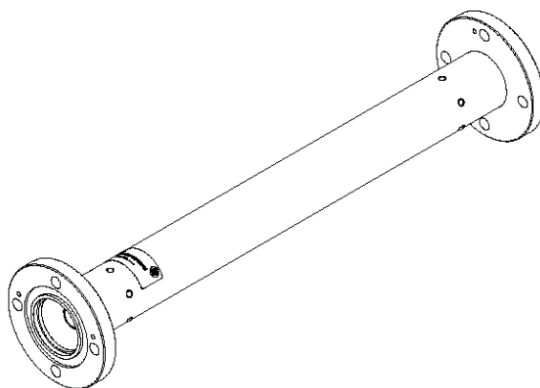


Low Pass Filter || BN 616455 C0033



Radio frequency characteristics

Part number	BN 616455 C0033
Coaxial interface connector	1 5/8" EIA
Frequency range passband	400 to 710 MHz
Insertion loss	≤ 0.05 dB
Stopband 1	940 MHz to 1060 MHz
Insertion loss	> 20 dB
Stopband 2	1060 MHz to 2900 MHz
Insertion loss	> 40 dB
Average input power	≤ 4 kW
VSWR in pass band	≤ 1.04
Group delay variation	≤ 2 ns
Proof Voltage	7.0 kV

Mechanical characteristics

Case material	copper alloy
Case surface finish	painted grey
Weight, approx.	1.1 kg
Length, approx.	500 mm
Marking	adhesive label
Dimensions (L x W x H) mm	500 x 90 x 90

Environmental conditions

Operation and Storage	
Ambient temperature range	-10°C to +45°C
Class. of environmental conditions	ETSI EN 300019-1-1 Class 1.2 ETSI EN 300019-1-2 Class 2.2 ETSI EN 300019-1-3 Class 3.1N

SPIClass
PUBLIC

Freigegeben
Released

Low Pass Filter || BN 616455 C0033

Typical VSWR and insertion loss response

