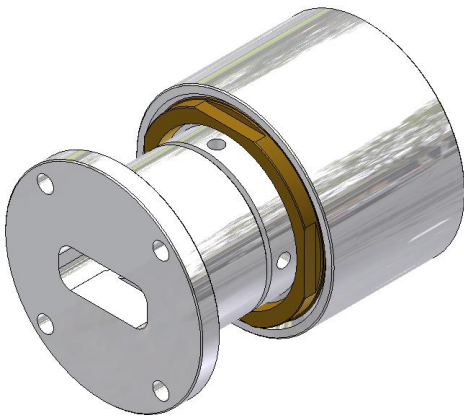


Rotary Joint || BN 635044



Radio frequency characteristics

Interface type / material / surface finish	UBR100 (IEC-154) with threads M4 and holes Ø4,4 / aluminum alloy
Interface orientation	style I
Frequency range	8.5 GHz to 10.0 GHz
Peak power capability	30 kW @ sea level
Average power capability	1000 W
VSWR, max. / typ.	1.25 / 1.15
VSWR variation over rotation, max. / typ.	0.1 / 0.05
Insertion loss, max. / typ.	0.2 dB / 0.1 dB
Insertion loss variation over rotation, max. / typ.	0.05 dB / 0.02 dB
Phase variation over rotation, max. / typ.	1 deg. / 0.5 deg.

Mechanical characteristics

Rotating speed, max. / nominal	300 rpm / 200 rpm
Life, min.	200 x 10 ⁶ revolutions
Case material	aluminum alloy
Case surface finish	none
IP protection level	IP40
Weight, approx.	0.4 kg
Marking	laser engraving

Template TD-00003F

Rotary Joint || BN 635044

Environmental conditions

Operation	
Ambient temperature range	-55 to +71°C
Relative humidity, max.	95% (non-condensing)
Storage	
Ambient temperature range	-55 to +85°C
Relative humidity, max.	95% (non-condensing)

Applicable documents

Customer Specification	N/A
Drawing	635044rotary joint R100-0E, Issue A
Product manual	M36066
Technical information	"Rotary Joints – Glossary", Technical Document TD-00021, Spinner GmbH