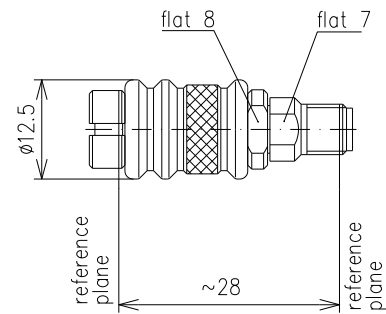


Adapter Push-Pull plug-socket || BN 640570



all dimensions in millimeter

Radio frequency characteristics

Interface type	3.5 mm plug / socket per IEC 61169-23
Frequency range	DC to 26.5 GHz
Impedance	50 Ω
Return loss, min.	40 dB @ DC to 6 GHz
	30 dB @ 6 to 12 GHz
	25 dB @ 12 to 26.5 GHz

Mechanical characteristics

Center conductor material / surface finish	CuBe age hardened, copper alloy / gold-plated
Outer conductor material / surface finish	copper alloy / gold-plated
Insulation	cross linked polystyrene
Other metallic parts / surface finish	CuBe age hardened, copper alloy / nickel-plated stainless steel silicone rubber
Weight, approx.	13 g

Environmental conditions

Operation	
Ambient temperature range	+5 to +40°C
Storage	
Ambient temperature range	-40 to +70°C

Scope of delivery and accessories

Scope of delivery	protective caps
Accessories	green silicone ring A09636

SPINNER GmbH | This document is proprietary to us. All rights reserved. Any use, transfer, or reproduction of this document or the know-how contained therein requires our express consent.