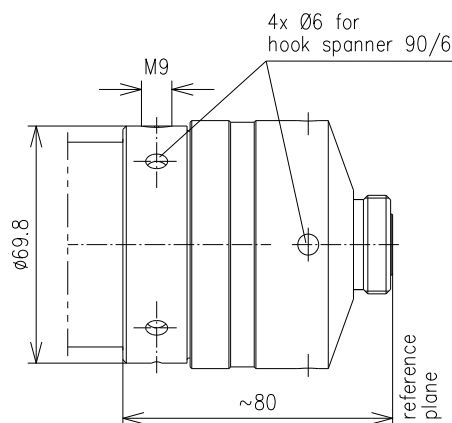


CABLE SOCKET FOR LF 2 1/4"-50-TYPE 7-16



Part number	BN 65 56 73		
Connector type	7-16 socket		
Version	CAF®		
Impedance	50 Ω		
Frequency range	0 - 1 GHz	≤ 1 - 1.5 GHz	≤ 1.5 - 2.2 GHz
VSWR	≤ 1.02	≤ 1.04	≤ 1.06
Material and surface			
Inner conductor	copper alloy	silver-plated	
Outer conductor	copper alloy	silver-plated	
Other metal parts	copper alloy	bright nickel-plated	
Insulation	PTFE		
Sealing	silicone rubber, PLAST 2000®		
Degree of protection	IP68 (mated)		
Cable compatibility	RFS	LCF 214-50, LCF 214-50 A	
Standards	IEC 61169-4		
Installation instructions	M30703		
Weight	approx. 1 kg		
Included in delivery	cover, installation instructions		