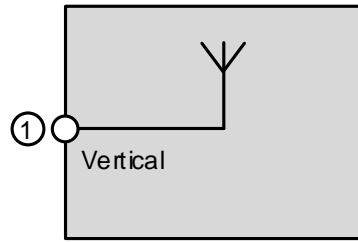


SISO V-Pol Bi-Dir Antenna, 698-4000MHz



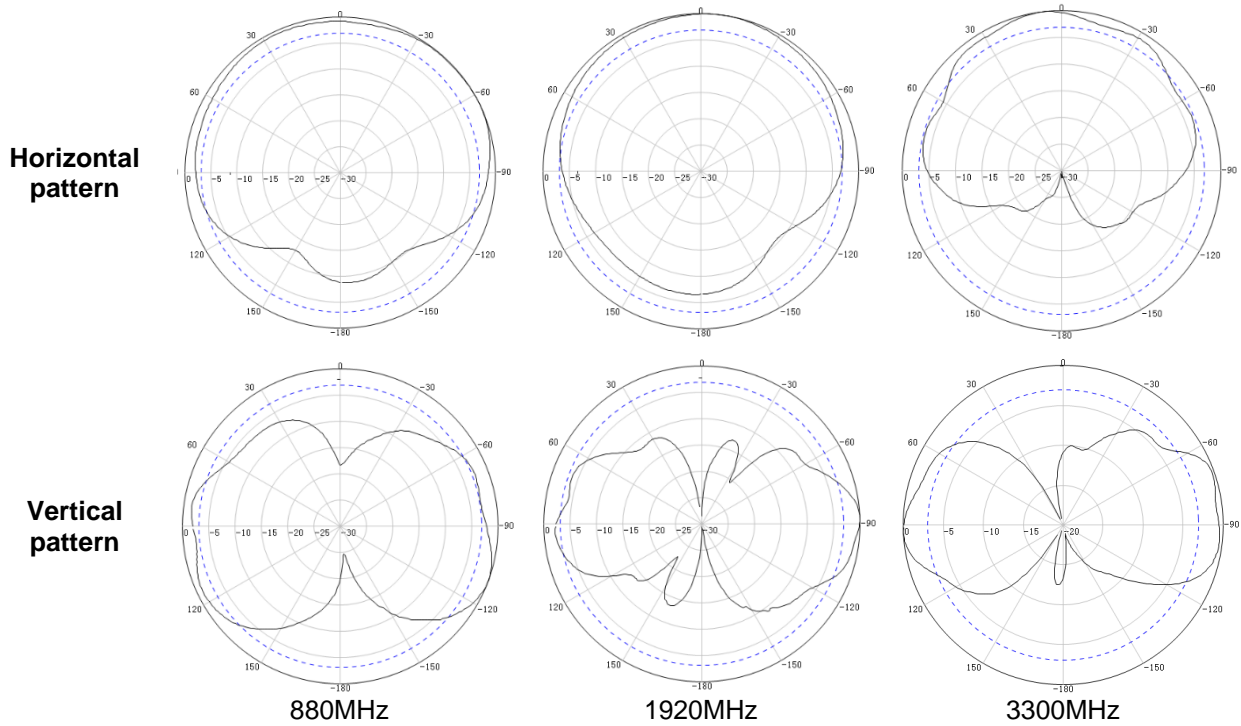
not binding



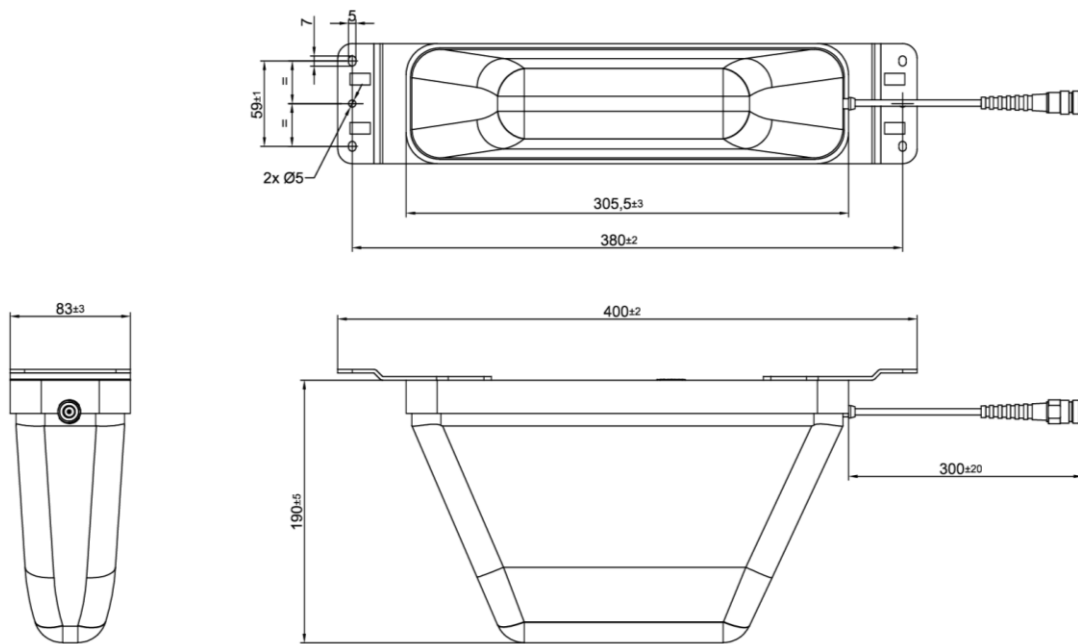
block diagram

<b>Part number</b>		<b>BN 666000</b>		
Connector		4.3-10 female (50 Ω)		
Frequency range, [MHz]		698-960	1710-2700	3300-4000
Gain, [dBi]		4±1	5.5±1	6.0±1
Polarization		Vertical		
Beam width	Horizontal, [deg]	150±20	160±20	160±20
	Vertical, [deg]	60	60	60
VSWR		≤2.0		
Intermodulation (IM3) @ 2x 20 W, [dBc]		≤-150		
Input power, [W]		max. 50		
Degree of protection		Indoor / IP54		
Weight, without Mounting Kit, [kg]		0.92		
Radome Material and Color		Fiberglass, White		
Temperature range, [°C]		-55 - +60		
Dimensions H x W x D, [mm] (Without Mounting Kit)		305 x 85 x 190		
Operational Humidity		<95%		
RoHS		Compliant		
Fire load, [kWh]		3.61		
Flammability rating		UL 94-V0		
Installation instructions		10020052		
Mounting Kit		On-wall / Pipe mast mounting		

**Radiation pattern:**



**Dimensions and mounting:**



**Standard:**

4.3-10 female (50 ohms): IEC 61169-54

modifications reserved!