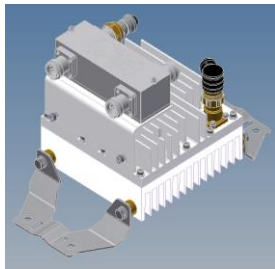
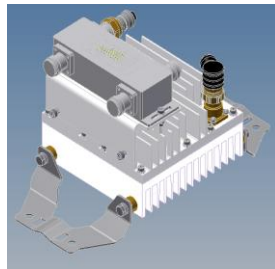


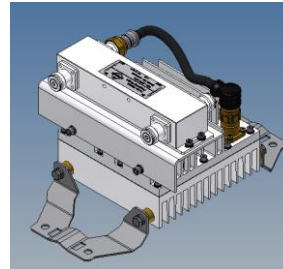
**3 dB Hybrid Combiner with low IM-Load**



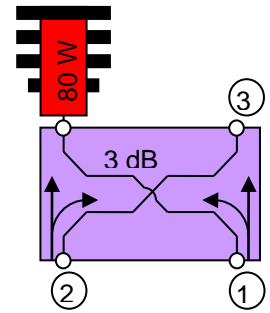
BN 753373



BN 753374



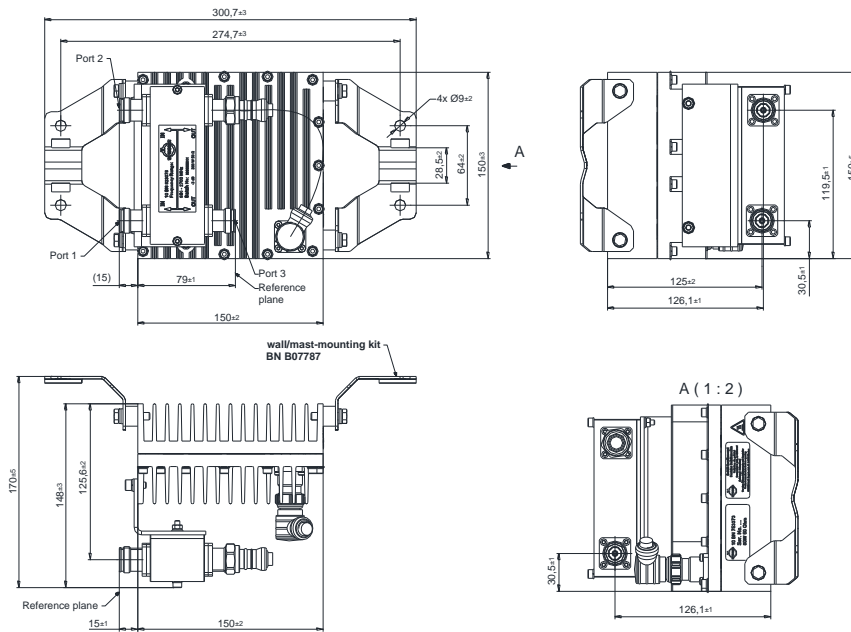
BN 753388



Block Diagram

Part number	BN 753373	BN 753374	BN 753388
Connectors	4.3-10 socket (50 Ohms)		
Frequency range	694 – 2700 MHz	694 – 3800 MHz	350 – 2700 MHz
Insertion loss	≤ 3.6 dB		≤ 3.9 dB
Isolation	≥ 23 dB	≥ 23 dB @ 694 – 2700 MHz ≥ 20 dB @ 2700 – 3800 MHz	≥ 23 dB
VSWR	≤ 1.25	≤ 1.25 @ 694 – 2700 MHz ≤ 1.3 @ 2700 – 3800 MHz	≤ 1.25
Test voltage	500 V		
Power rating	80 W max. per input port		
IM – value 3rd order @ 2 x 20 W	≤ -150 dBc   typical: ≤ -155 dBc @ 694 – 800 MHz ≤ -155 dBc   typical: ≤ -160 dBc @ 800 – 2700 MHz		≤ -140 dBc   typical: ≤ -145 dBc @ 350 – 694 MHz ≤ -150 dBc   typical: ≤ -155 dBc @ 694 – 2700 MHz
Special feature	DC path Port 2 → Port 3 (max. 2.5 A AISG conform)		
Degree of protection	IP 65		
Environmental conditions	ETSI EN 300019-1-1 Class 1.2 ETSI EN 300019-1-2 Class 2.3 ETSI EN 300019-1-4 Class 4.1E		
Wall / Mast mounting	part of delivery		
Weight	Approx. 3.5 kg		Approx. 3.7 kg
Temperature range	-40 °C – +50 °C (full power rating) +50 °C – +85 °C (limited power rating, see derating curve)		

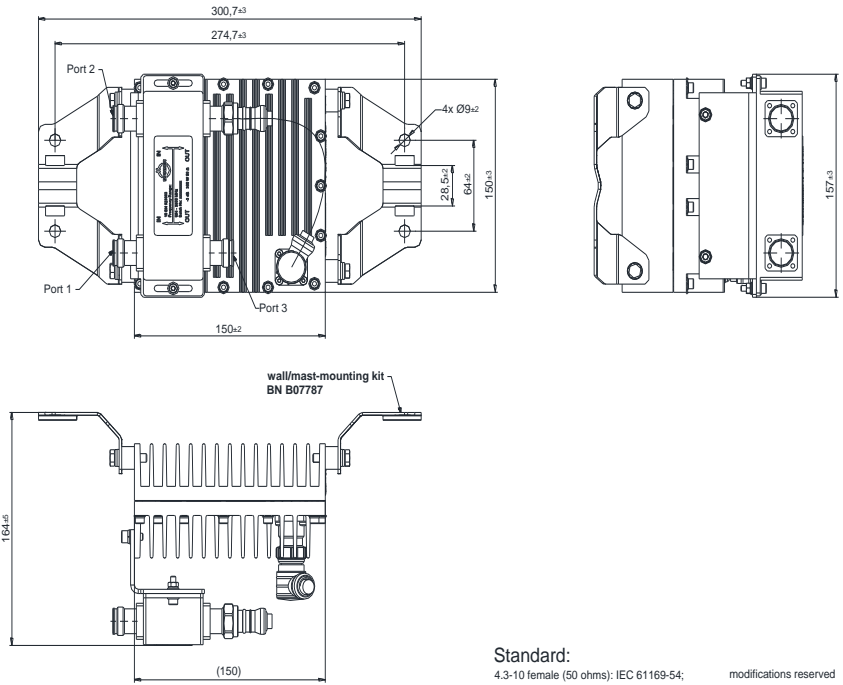
Dimension:



**BN 753373**

Standard:  
4.3-10 female (50 ohms): IEC 61169-54; modifications reserved

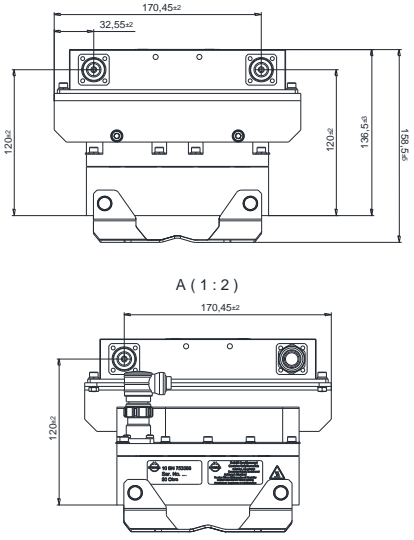
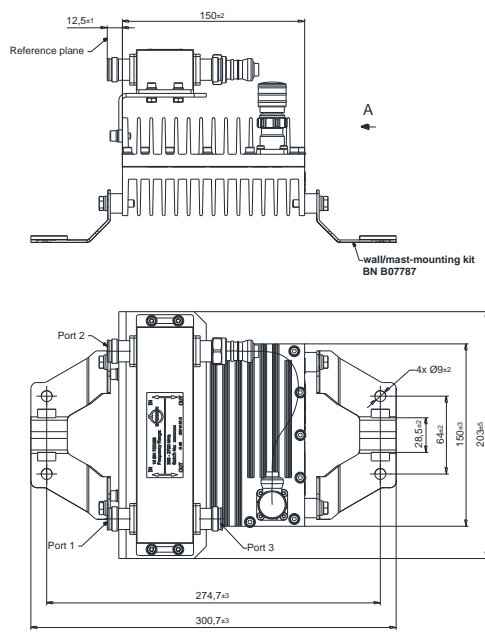




**BN 753374**

Standard:  
4.3-10 female (50 ohms); IEC 61169-54; modifications reserved





**BN 753388**

Standard:  
4.3-10 female (50 ohms): IEC 61169-54; modifications reserved

