

**Surge Protector 7-16 female-male
with Quarter Wavelength Stub and DC Break**

Connectors:

Unprotected port (antenna) 7-16 plug bulkhead (50Ω)
Protected port (transceiver) 7-16 socket (50Ω)

Frequency range / VSWR:

850 to 2450 MHz / ≤ 1.11
800 to 2500 MHz / ≤ 1.14
698 to 2700 MHz / ≤ 1.35

Intermodulation products:

≤ -165 dBc
3rd order @ 2 x 20 W

Insertion loss:

≤ 0.1 dB

Max. average RF power:

(for VSWR = 1; sea level and 40°C) 3.0 kW at 800 MHz
1.7 kW at 2500 MHz

Peak power:

370 kW

Peak voltage:

4.3 kV

Nominal surge current:

100 kA (test pulse 8/20 μs)
50 kA (test pulse 10/350 μs)

Residual pulse voltage:

< 15 mV (test pulse 4kV 1.2/50μs and 2kA 8/20μs)

Residual pulse energy:

< 15 nJ (test pulse 4kV 1.2/50μs and 2kA 8/20μs)

Material and surfaces:

Inner conductor brass / silver plated
Outer conductor brass / silver plated
Other metal parts brass / bright nickel plated
Insulation PTFE
Sealing silicone rubber

Degree of protection:

IP 67 (in mated condition)

Operating temperature:

-40 °C to +85 °C

Weight:

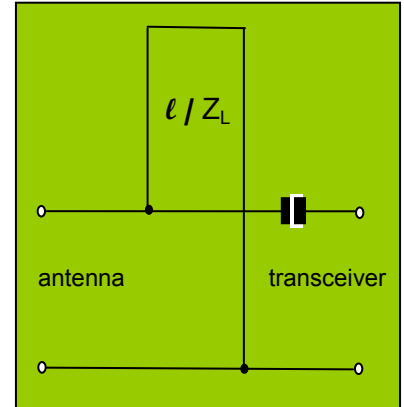
approx. 500 g

Standards:

CECC 22190; IEC 60169-4

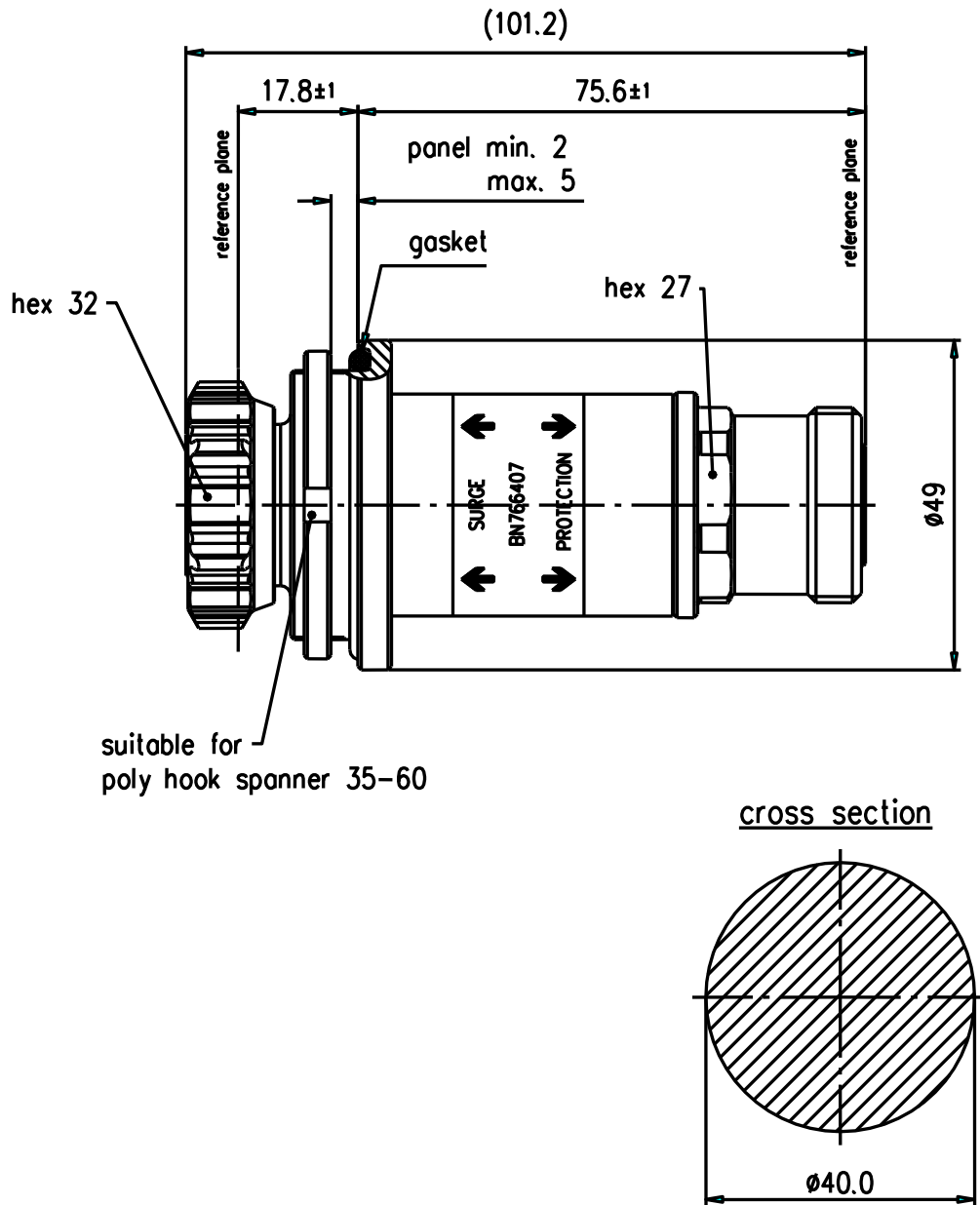
Appendix:

Dimensions



Block diagram

Dimensions:



(dimensions in mm)

modifications reserved