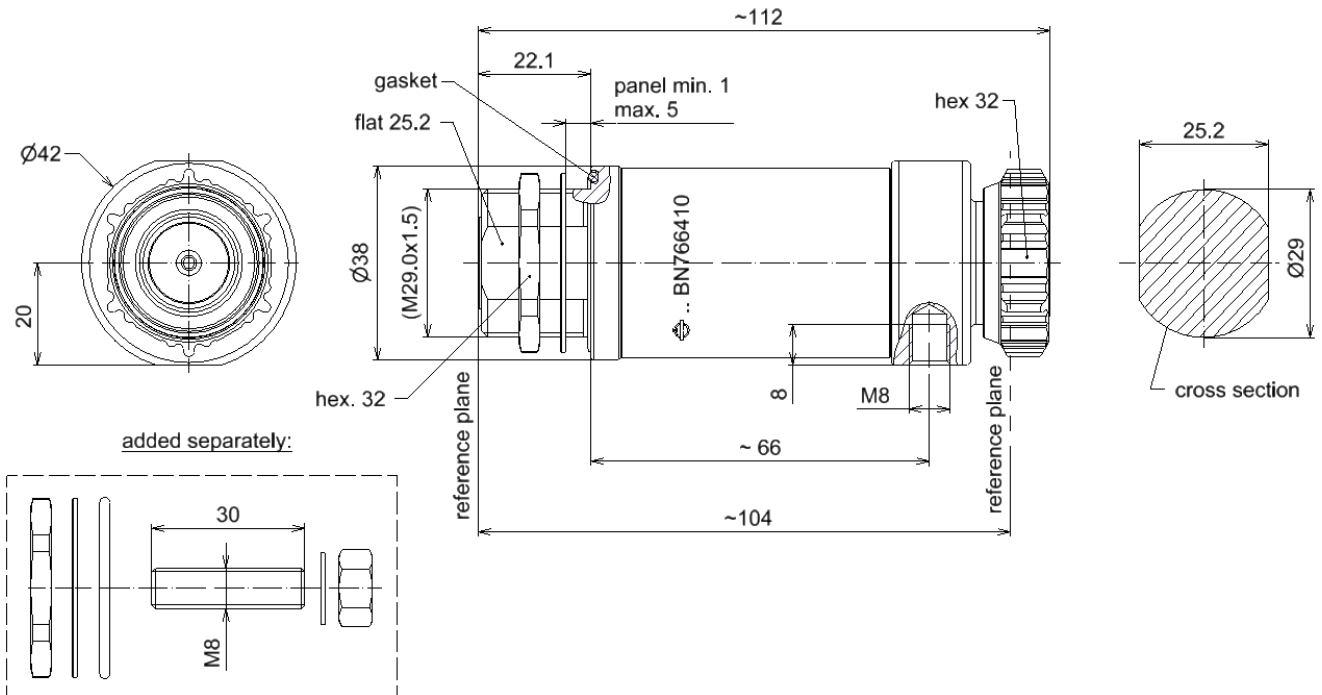


Surge Protector with Quarter Wavelength Line || BN 766410



Radio frequency characteristics

Interface type	7-16 plug / socket (50 Ω) per IEC 61169-4
VSWR, max.	1.13 @ 850 to 2400 MHz 1.18 @ 800 to 2500 MHz
Frequency range	800 to 2500 MHz
Insertion loss, max.	0.1 dB
Intermodulation (IM3) 2x20 W, max.	-165 dBc
Average power capability	3.0 kW @ 800 MHz 1.7 kW @ 2500 MHz
Peak power capability	370 kW
Proof voltage, max.	4.3 kV
Surge current handling capability	10 kA (test pulse 8/20 μs) 50 kA (test pulse 10/350 μs)
Residual pulse energy, max.	7 μJ (test pulse 4 kV 1.2/50 μs and 2 kA 8/20 μs)

Surge Protector with Quarter Wavelength Line || BN 766410

Mechanical data

Inner conductor material / surface finish	CuBe age-hardened / silver plated copper alloy / silver plated
Outer conductor material / surface finish	copper alloy / silver plated
Other metal parts / surface finish	copper alloy / bright nickel plated stainless steel
Insulation	PTFE
Sealing	silicone rubber
Version	bulkhead mounting (potential equalisation)
IP protection level	IP68 per EN 60529 (interface connected with appropriate gasket)
Weight, approx.	500 g

Environmental conditions

Operation	
Ambient temperature range	-40 to +85°C

Scope of delivery and accessories

Scope of delivery	panel sealing, installation kit, installation and grounding instruction
-------------------	--