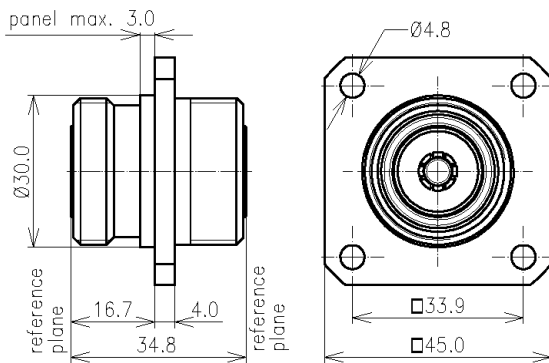


Fixed Adaptor Type 7-16 || BN 808402



all dimensions in millimeter

Interface type	7-16 socket/socket (50 Ω) per IEC 61169-4
Version	4-hole panel mounting
Frequency range	DC to 6 GHz
VSWR, max.	1.02 @ DC to 1 GHz 1.04 @ 1 to 4 GHz 1.06 @ 4 to 6 GHz
Intermodulation (IM3) @ 2x 20W, max.	-165 dBc
Inner conductor material / surface finish	copper alloy / silver plated
Outer conductor material / surface finish	copper alloy / silver plated
Insulation	PTFE
IP protection level	IP68 per EN 60529 (interface connected with appropriate gasket)
Weight, approx.	120 g