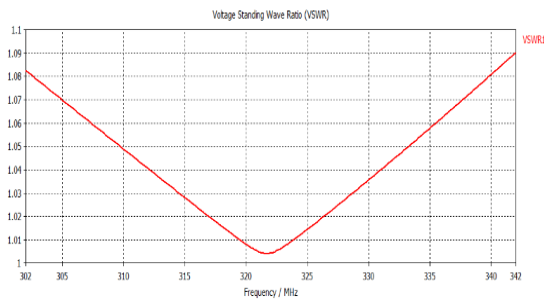


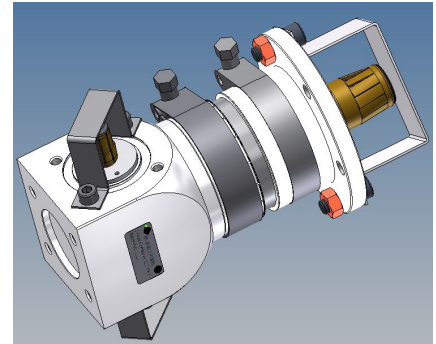
4.4 kW 2-Way Power Combiner



- T-style
- high power handling
- compact design
- low VSWR
- for indoor application



Typical diagram



Part number	BN 81 82 12 C0002
Application	Power combiner for balanced feeding of all inputs (equal amplitudes and phases)
Frequency range	322 MHz
Connectors	Input 2 x 1 5/8" EIA male (with built in coupling element) Output 1 x 3 1/8" EIA male (with built in coupling element)
Average input power rating, max. ¹⁾	2 x 2.2 kW
Average output power rating, max.	4.4 kW
Sum of all peak voltages at all inputs ²⁾	10 kV
Insertion loss (without coupling loss)	≤ 0.1 dB
Return loss ³⁾	≥ 29 dB (VSWR ≤ 1.07)
Power ratio	3 dB +/- 0.1 dB
Phase balance	0° +/- 3°
Dimensions (L x W x H) mm	ca. 250 x 178 x 130
Weight	ca. 1.6 kg
Ambient temperature	-10 °C ≤ θ ≤ +55 °C
Relative humidity, max.	95% (non-condensing)
Materials	copper alloy, aluminum alloy, stainless steel, PTFE
Surfaces	silver
Environmental conditions	ETSI EN 300 019-1-3 V2.3.2 (2009-1) class 3.1 N

¹⁾ For total reflection with arbitrary phase at output port; balanced feeding at input ports mandatory.

²⁾ To calculate the sum of all peak voltages you have to add peak voltages of all sources and possible reflected voltages coming from reactive loads.

³⁾ Measured at output port

4.4 kW 2-Way Power Combiner



Dimensions:

