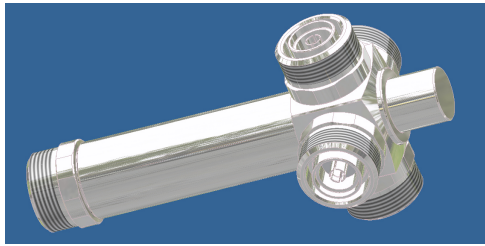
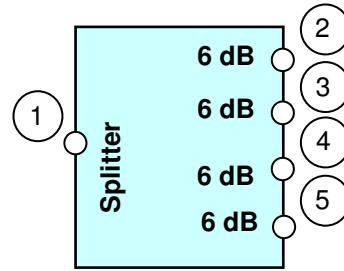


Coaxial 4-Way-Splitter



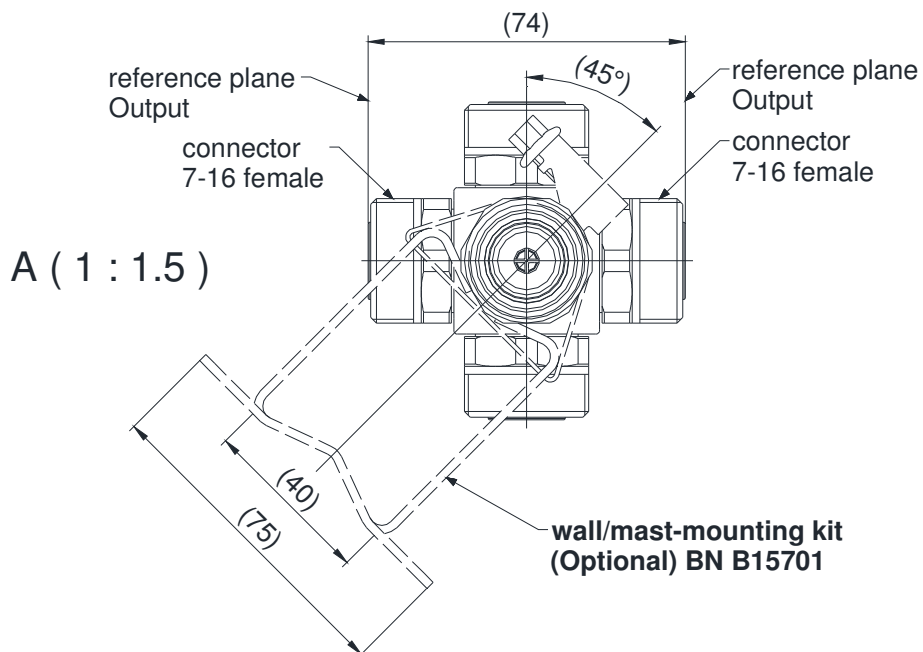
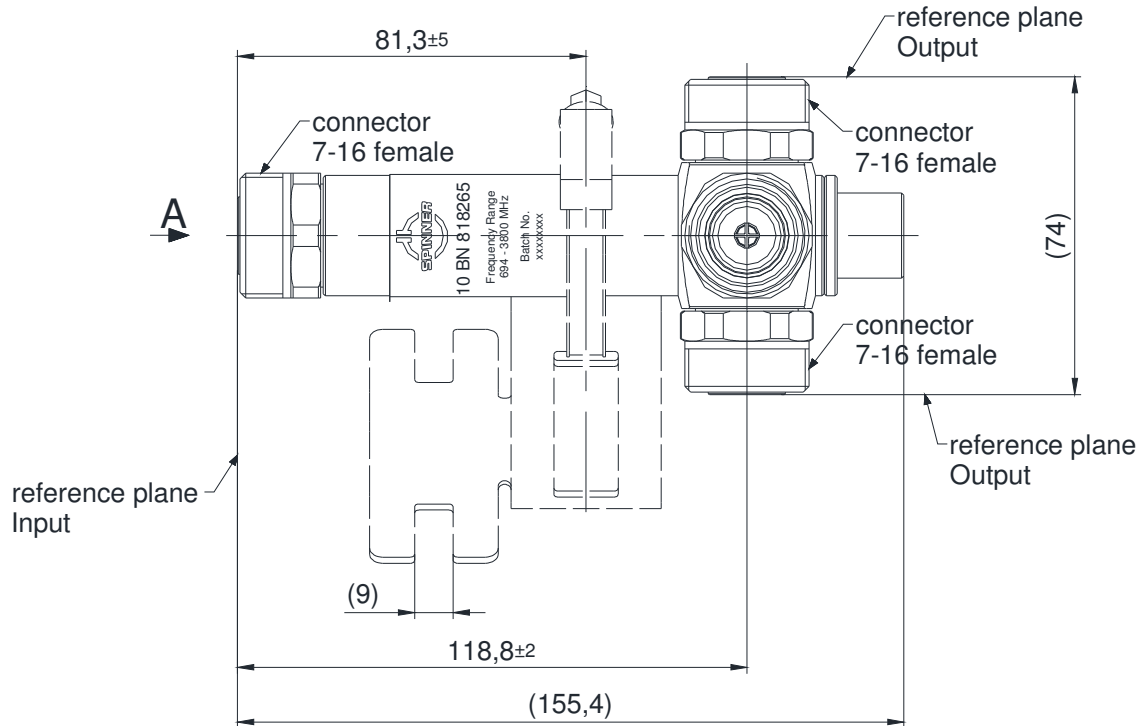
Not binding



Block Diagram

Part number	BN 818265
Splitting ratio	1 : 0.25 : 0.25 : 0.25 : 0.25
Connectors	7-16 female (50 Ohms)
Frequency range	694 – 3800 MHz
Port 1 Port 2,3,4,5	Input Output
Output difference	≤ 0.5 dB
Insertion loss	≤ 6.2 dB
VSWR	≤ 1.2 (Port 1)
Phase difference	≤ 5°
Power rating	500 W CW
Intermodulation products 3rd order @ 2 x 20 W	≤ -160 dBc typical ≤ -165 dBc
Degree of protection mated / 1bar, 1h, ≤18°C	IP 68
Class. of environmental conditions	ETSI EN 300019-1-1 Class 1.2 ETSI EN 300019-1-2 Class 2.3 ETSI EN 300019-1-4 Class 4.1E
Operating temperature	-40 to +85°C
Wall / Mast mounting	to be ordered separately 1 pcs BN B15701
Weight	0.55 kg

Dimensions:



Standard:

7-16 female (50 ohms): CECC 22190, IEC 169-4

modifications reserved

Measurements:

