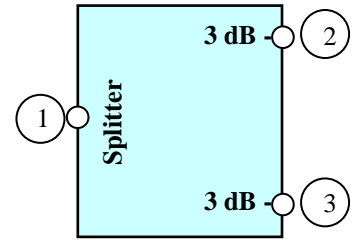
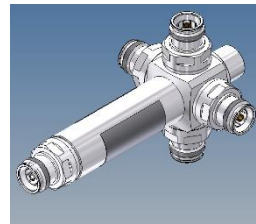
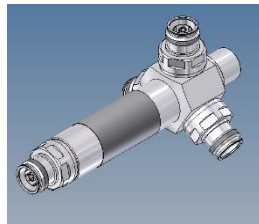
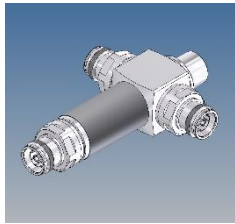


Coaxial Splitters 694 - 3800 MHz



BN 818266

BN 818267

BN 818268

Block diagram use 818266 as sample

Electrical characteristics

Part number	BN 818266	BN 818267	BN 818268
Splitting ratio	1: 0.5: 0.5	1: 0.33: 0.33: 0.33	1: 0.25: 0.25: 0.25: 0.25
Frequency range:	694 - 3800 MHz		
Insertion loss:	≤ 3.2 dB	≤ 5.0 dB	≤ 6.2 dB
VSWR	≤ 1.2 (Port 1)		
Output difference	≤ 0.3 dB	≤ 0.3 dB	≤ 0.5 dB
Phase difference	≤ 2.5°	≤ 3°	≤ 5°
Power Rating:	≤ 500 W		
DC-by-pass	N/A		
Passive intermodulation (IM3), 3rd order @ 2 x 20W	-160 dBc max. / -165 dBc typ.		
Impedance	50 Ohm		

Mechanical characteristics

Connectors	4.3-10 female		
Dimensions, approx.	91 x 32 x 133 mm (Width x Height x Depth)	89 x 77 x 167 mm (Width x Height x Depth)	92 x 92 x 164 mm (Width x Height x Depth)
Weight, approx.	0.38 kg	0.58 kg	0.62 kg
Color	No painting		
Wall / Mast mounting	to be ordered separately under BN B07691	to be ordered separately under BN B07691	to be ordered separately under BN B15701

Environmental conditions

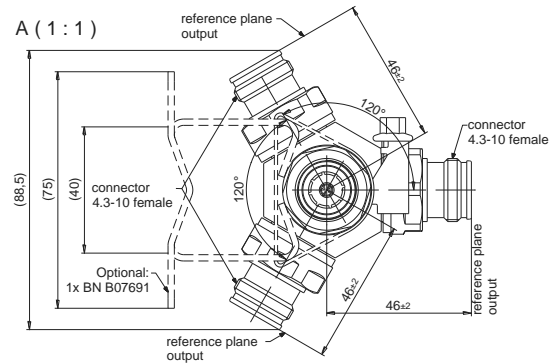
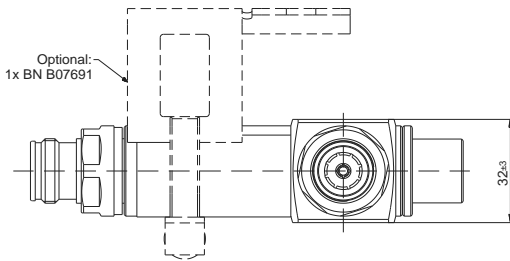
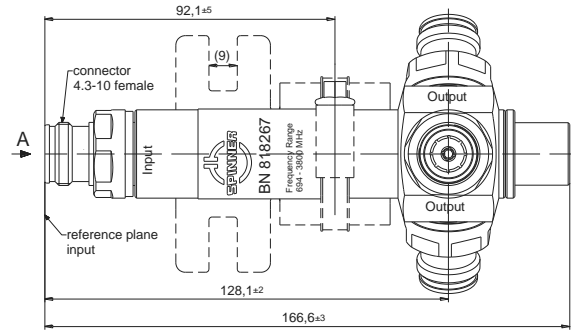
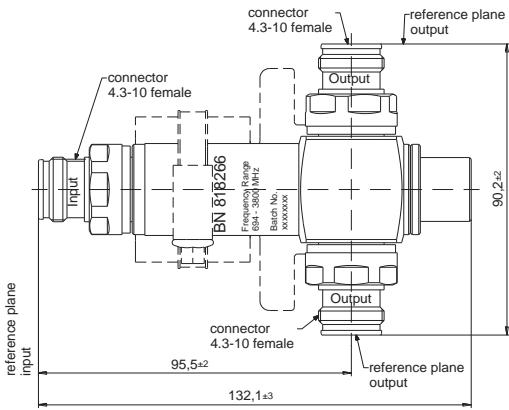
Class. of environmental conditions	ETSI EN 300019-1-1 Class 1.2 ETSI EN 300019-1-2 Class 2.3 ETSI EN 300019-1-3 Class 4.1E
Degree of protection	IP 68
Operation Ambient temperature range	-25 °C to +55 °C
Storage Ambient temperature range	-40 °C to +85 °C
Relative humidity, max.	95% (non-condensing)

SPINNER GmbH
 This document is proprietary to us.
 All rights reserved. Any use, transfer, or reproduction of this document
 or the know-how contained therein requires our express consent.

Template TD-00002Y

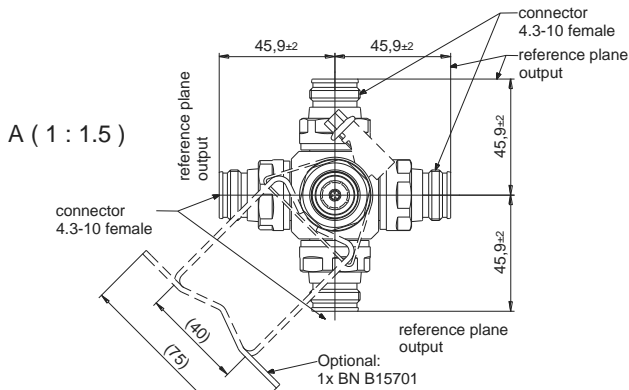
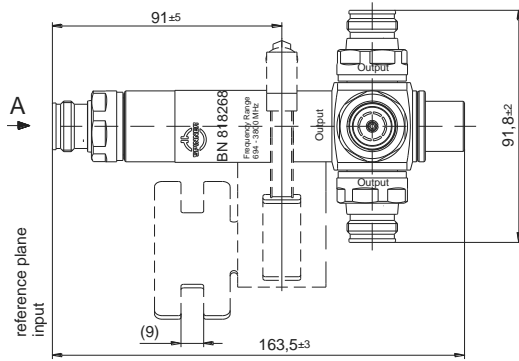
Coaxial Splitters 694 - 3800 MHz

Outline (all dimensions in millimeter)



BN 818266

BN 818267



BN 818268

Standard:
4.3-10 female (50 ohms): IEC 61169-54

modifications reserved!

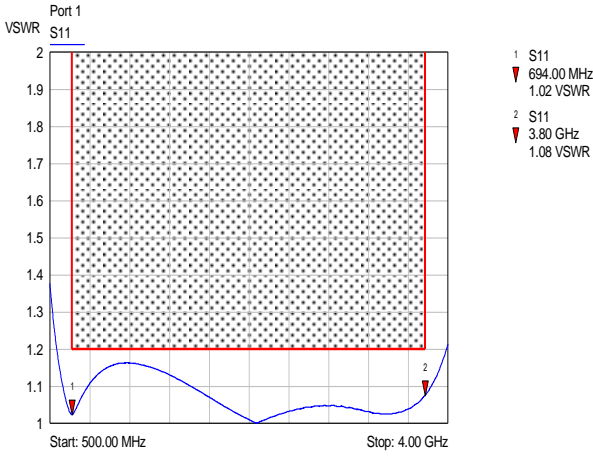
SPINNER GmbH
This document is proprietary to us.
All rights reserved. Any use, transfer, or reproduction of this document
or the know-how contained therein requires our express consent.

Template TD-00002Y

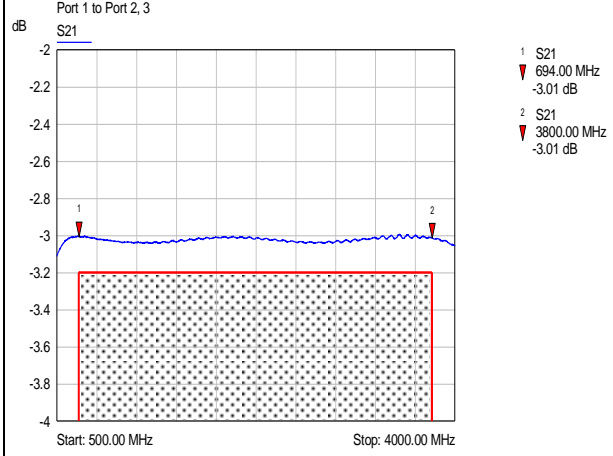
Coaxial Splitters 694 - 3800 MHz

Measurements:

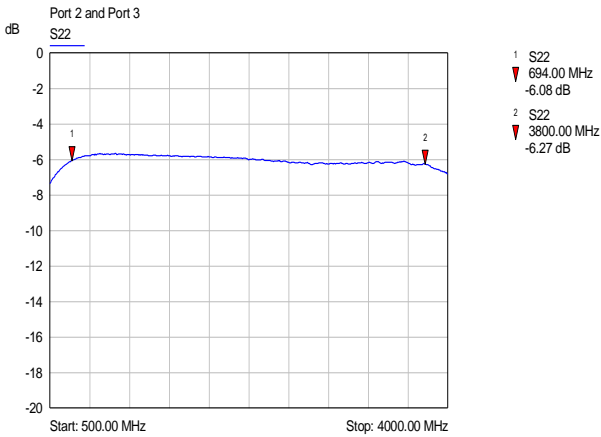
BN 818266 VSWR:



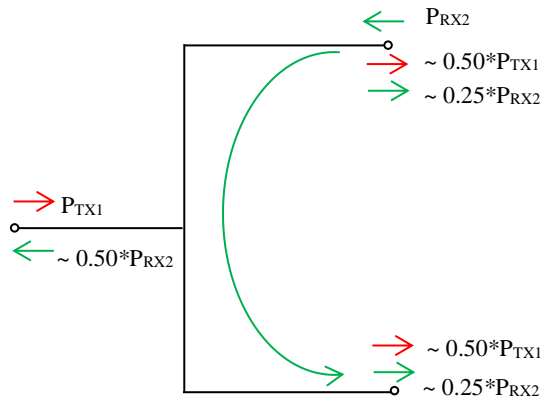
BN 818266 Insertion Loss:



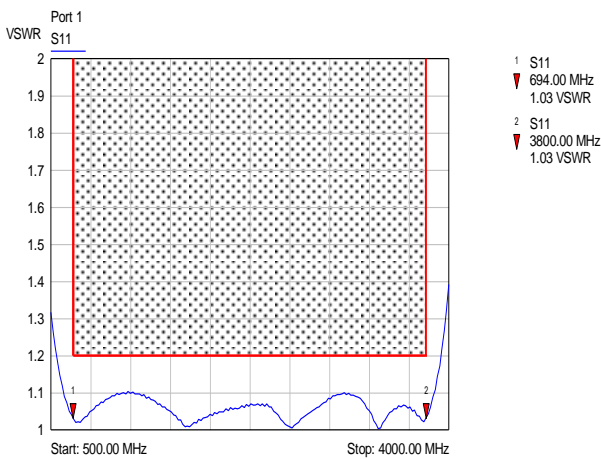
BN 818266 Reflection:



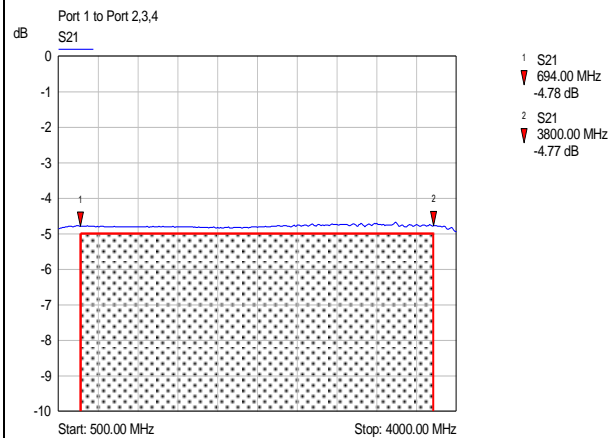
BN 818266 Splitting Ratios (approximate values, for information only): use signal TX1, RX2 as example



BN 818267 VSWR:



BN 818267 Insertion Loss:



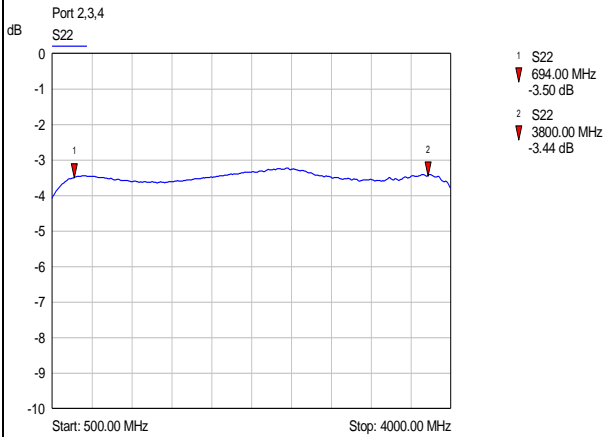
SPINNER GmbH. This document is proprietary to us. All rights reserved. Any use, transfer, or reproduction of this document or the know-how contained therein requires our express consent.

Template TD-00002Y

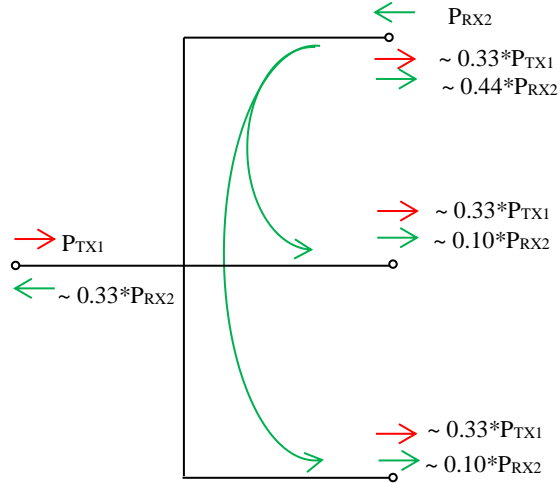
Coaxial Splitters 694 - 3800 MHz

SPINNER GmbH
 This document is proprietary to us.
 All rights reserved. Any use, transfer, or reproduction of this document
 or the know-how contained therein requires our express consent.

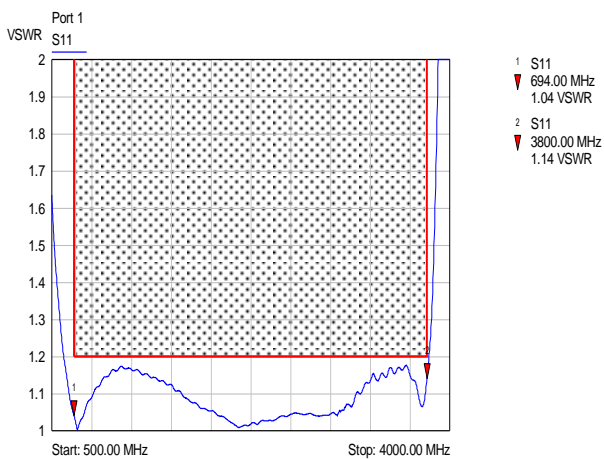
BN 818267 Reflection:



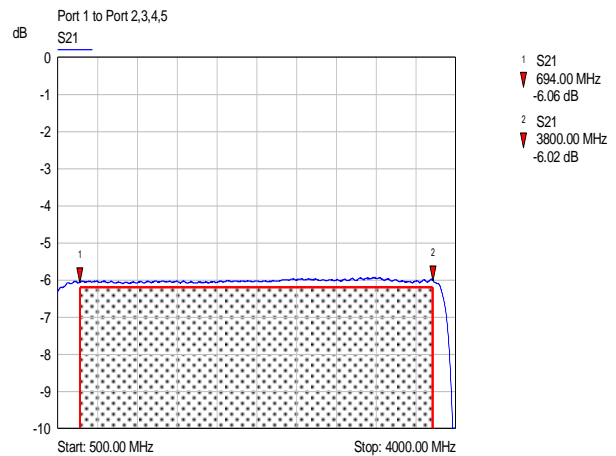
BN 818267 Splitting Ratios (approximate values, for information only): use signal TX1, RX2 as example



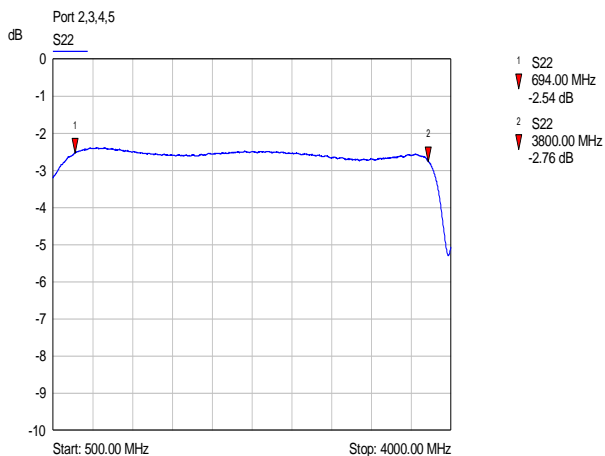
BN 818268 VSWR:



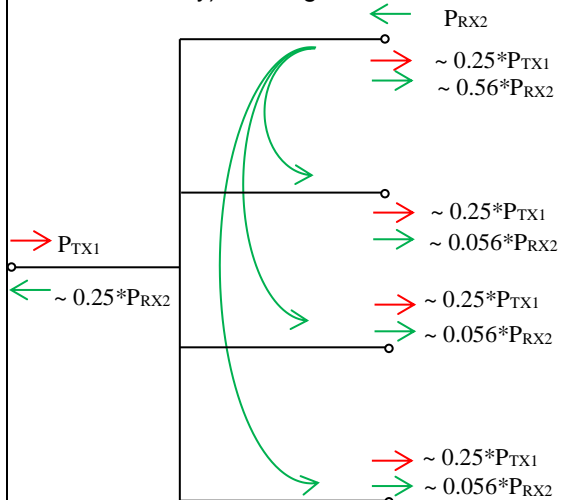
BN 818268 Insertion Loss:



BN 818268 Reflection:



BN 818268 Splitting Ratios (approximate values, for information only): use signal TX1, RX2 as example



Template TD-00002Y