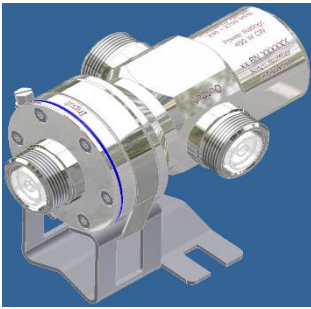
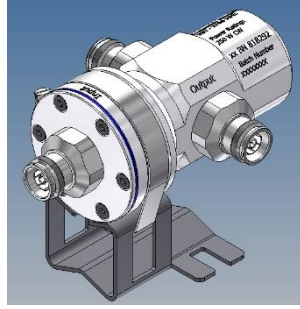


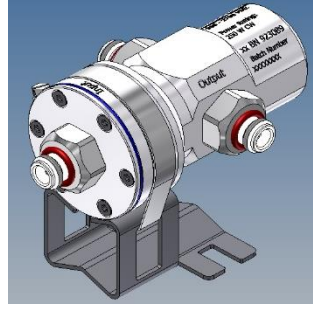
Coaxial 2-Way-Splitter



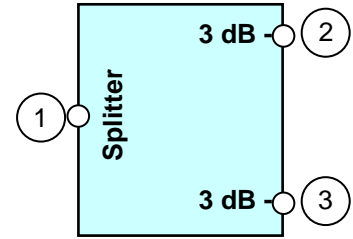
BN 818289



BN 818292



BN 923089



Block diagram

Electrical characteristics

Part number		BN 818289	BN 818292	BN 923089
Connectors		7-16 female	4.3-10 female	N female
Splitting ratio		1: 0.5: 0.5		
Frequency range:		330 – 2700 MHz		
Port 1		Input		
Port 2, 3		Output		
Output difference		≤ 0.5 dB		
Insertion loss:		≤ 3.2 dB		
VSWR	Port 1	≤ 1.2		
Return Loss	Port 2,3 *	≤ -5dB		
Power Rating:		450 W CW @ - 40 to +55°C 250 W CW @ + 55 to +75°C	450 W CW @ - 40 to +55°C 250 W CW @ + 55 to +75°C	250 W CW @ - 40 to +55°C 120 W CW @ + 55 to +75°C
Passive intermodulation (IM3), 3rd order @ 2 x 20W		-160 dBc max.		
Impedance		50 Ohm		

* According to DIN 14024-1

Mechanical characteristics

Dimensions, approx.	See drawing
Weight, approx.	1.05 kg
Materials	Aluminum alloy, sea waterproof (housing) Copper alloy, plated (connectors) Stainless steel (clamp and mounting bracket)
Wall / Mast mounting	part of delivery

Environmental conditions

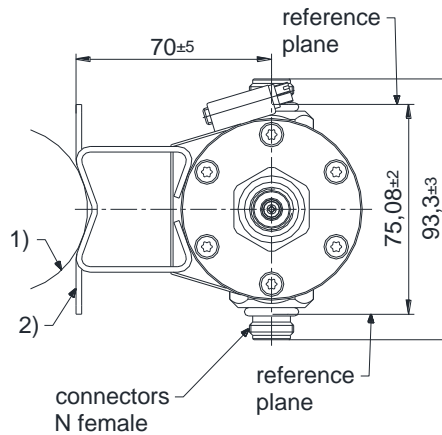
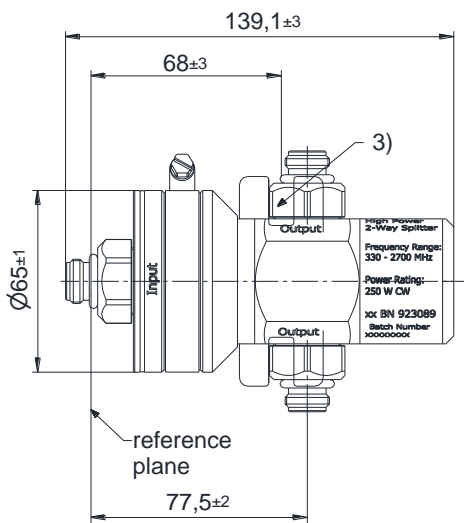
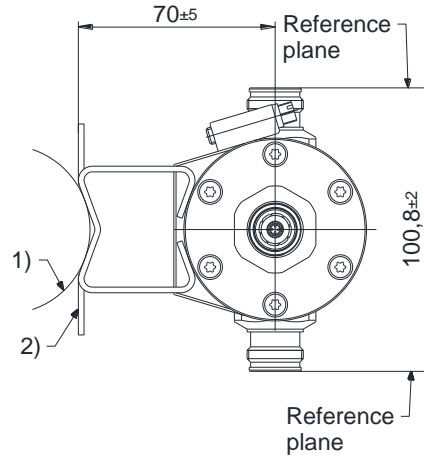
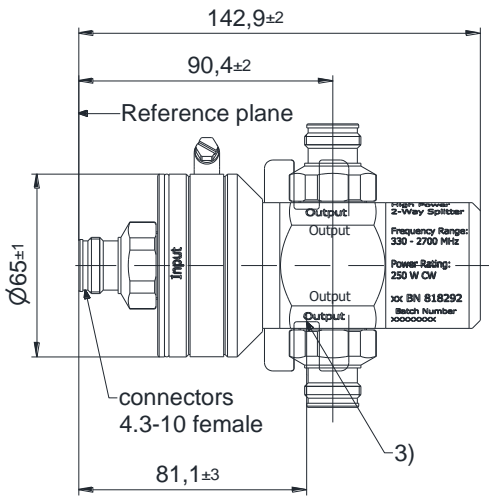
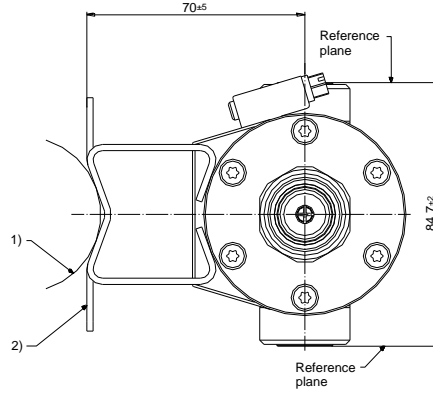
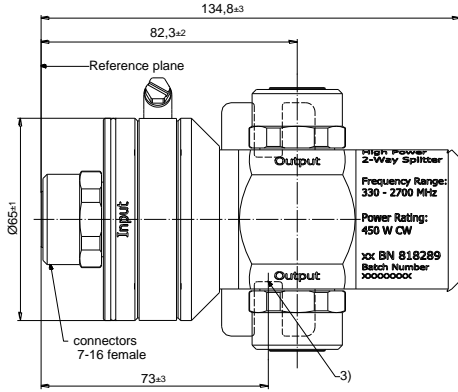
Class. of environmental conditions	ETSI EN 300019-1-1 Class 1.2 ETSI EN 300019-1-2 Class 2.3 ETSI EN 300019-1-4 Class 4.1E
Degree of protection	indoor & outdoor / IP 68
Operation Ambient temperature range	-40 °C to +55 °C
Storage Ambient temperature range	-40 °C to +85 °C
Relative humidity, max.	95% (non-condensing)

This document is proprietary to us. All rights reserved. Any use, transfer, or reproduction of this document or the know-how contained therein requires our express consent.

Template TD-00002Y

Coaxial 2-Way-Splitter

Outline (all dimensions in millimeter)



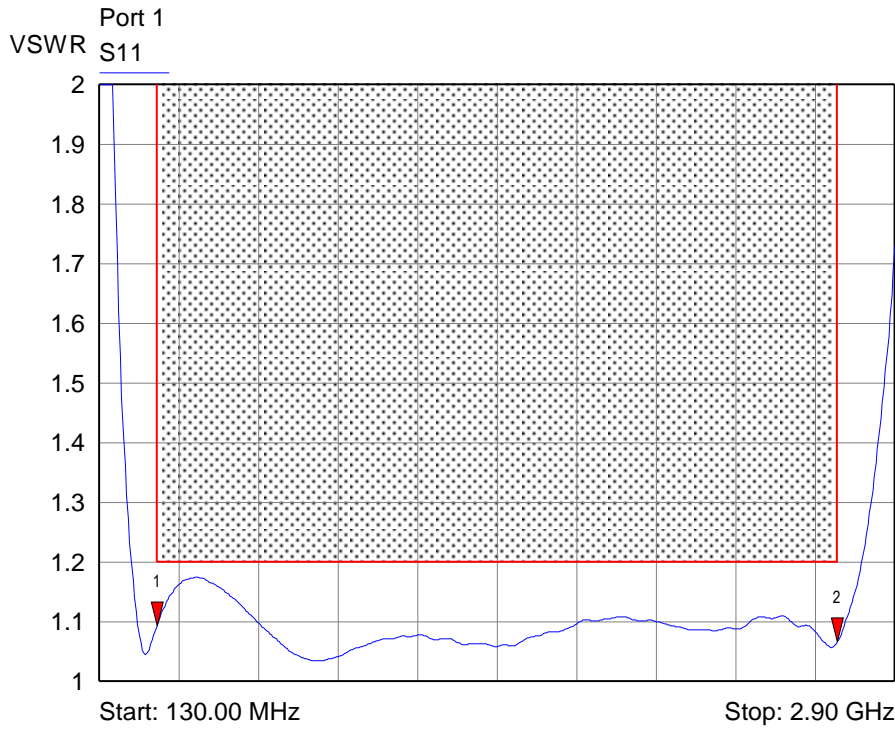
- 1) mast mounting (mast diameter 48 - 130 mm, clamp is not part of delivery)
- 2) wall mounting
- 3) distance of mounting points 45 - 65 mm

SPINNER GmbH
 This document is proprietary to us.
 All rights reserved. Any use, transfer, or reproduction of this document
 or the know-how contained therein requires our express consent.

Template TD-00002Y

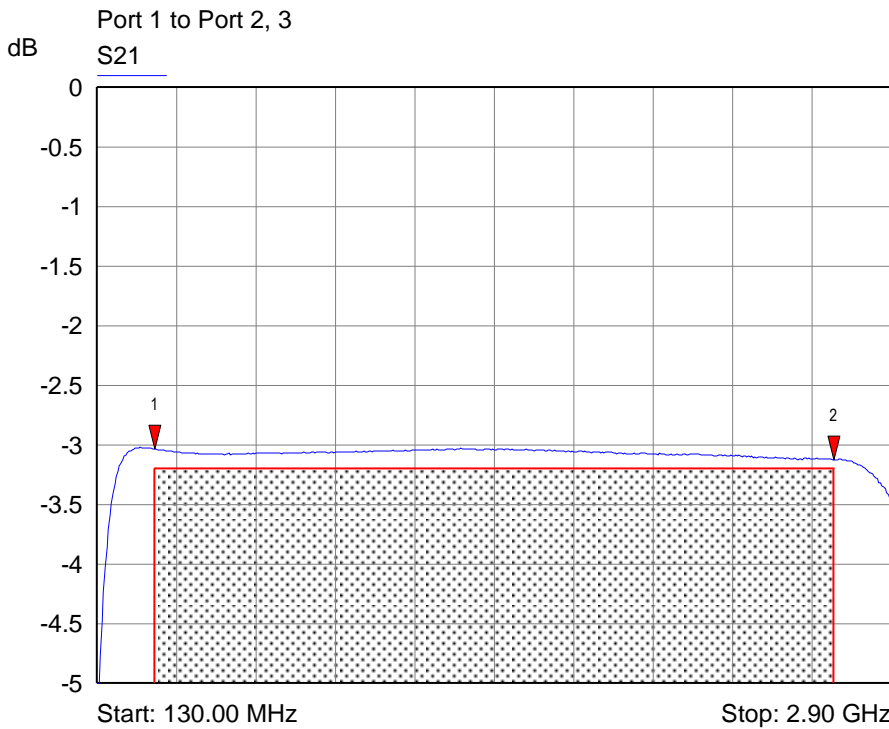
Coaxial 2-Way-Splitter

VSWR:



- 1 S11
▼ 330.00 MHz
1.09 VSWR
- 2 S11
▼ 2.70 GHz
1.07 VSWR

Insertion loss:



- 1 S21
▼ 330.00 MHz
-3.03 dB
- 2 S21
▼ 2.70 GHz
-3.12 dB

This document is proprietary to us.
 All rights reserved. Any use, transfer, or reproduction of this document
 or the know-how contained therein requires our express consent.

Template TD-00002Y