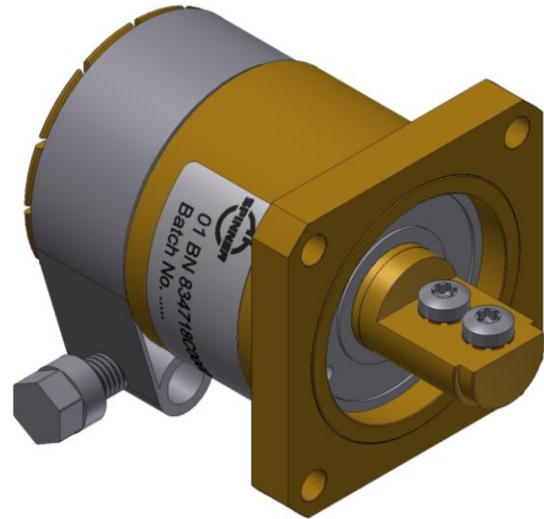


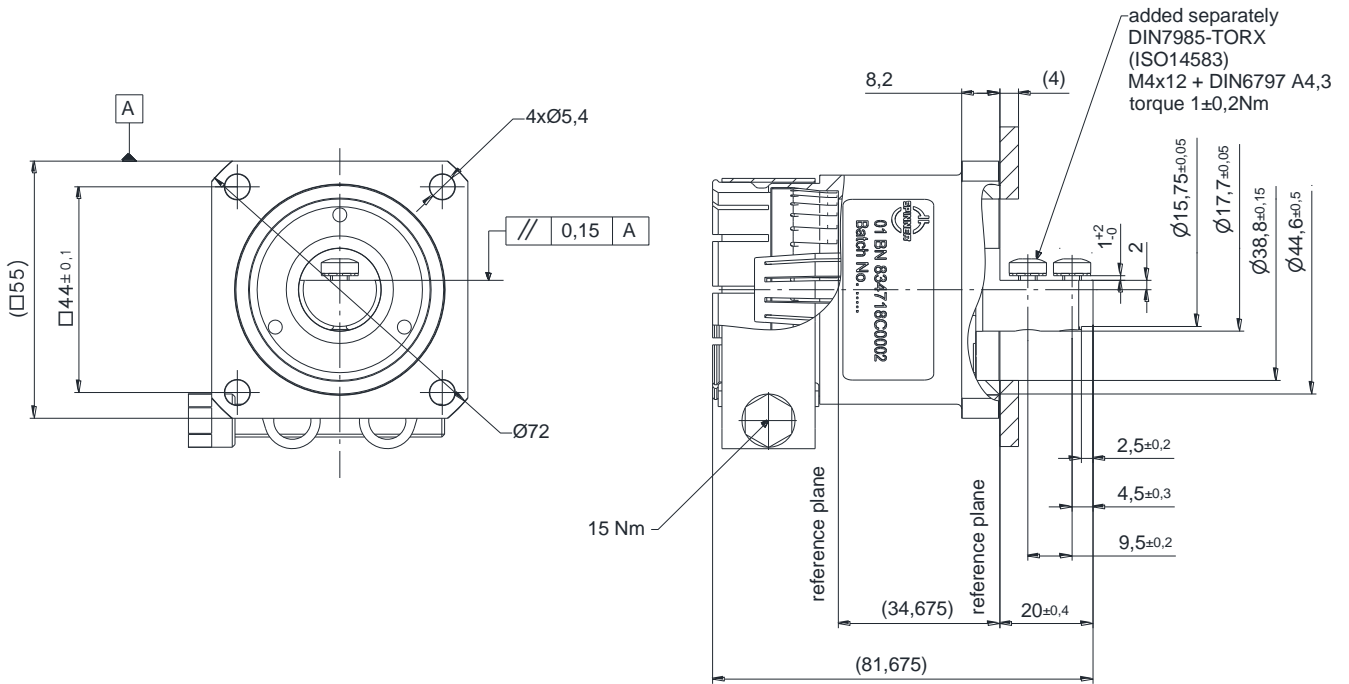
## Panel adaptor 1 5/8" SMS

- compact design
- low VSWR
- for indoor application



<b>Part number</b>	<b>BN 83 47 18 C0002</b>
Connector type	1 5/8" SMS
Impedance	50 Ω
Frequency range	0 to 1500 MHz
VSWR	< 1.05
Proof voltage	7.0 kV DC
<b>Material and surface</b>	
Inner conductor	copper alloy, silver-plated
Outer conductor	copper alloy, Cu-Sn-Zn-plated
Insulation	PTFE
Dimensions (L x W x H) mm	ca. 62 x 62 x 82
Ambient temperature	-10 °C ≤ θ ≤ +55 °C
Weight	approx. 0.5 kg
Environmental conditions	For limitations see "Environmental Conditions for Broadcast Products" TD-00060

Panel adaptor 1 5/8" SMS



mating dimensions SMS:

