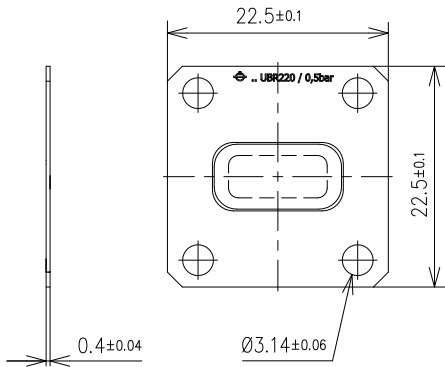


Waveguide Pressure Window R 220 || BN 866060



all dimensions in millimeter

Interface type	similar UBR 220 per IEC 60154-2
Frequency range	17.6 to 26.7 GHz
VSWR, max.	1.04
Material	copper alloy
Surface finish	silver plated
Other parts	PI foil
Differential operating pressure, max.	0.05 MPa (0.5 bar), both-way
Weight, approx.	2 g