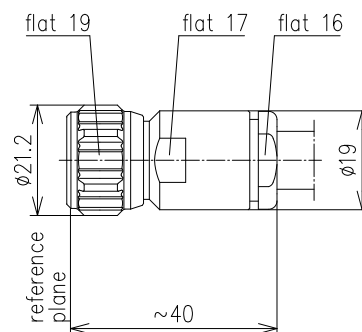


CABLE PLUG-TYPE N



Part number	BN 92 24 50			
Connector type	N plug			
Version	clamped			
Impedance	50 Ω			
Frequency range	0 - 1 GHz	1 - 3 GHz	3 - 6 GHz	6 - 12 GHz
VSWR	≤ 1.02	≤ 1.04	≤ 1.08	≤ 1.35
Material and surface				
Inner conductor	copper alloy		gold-plated	
Outer conductor	copper alloy		silver-plated	
Other metal parts	copper alloy		bright nickel-plated	
Insulation	PTFE			
Sealing	silicone rubber			
Degree of protection	IP68 (mated)			
Cable compatibility	RG 213/U, RG 214/U			
Standards	IEC 61169-16			
Installation instructions	M30585			
Weight	approx. 0.05 kg			
Included in delivery	installation instructions			
Delivery status	inner conductor attached separately			