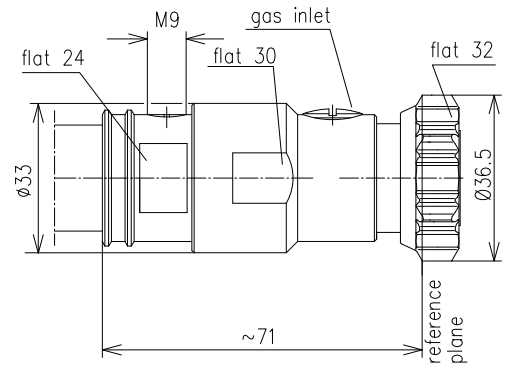


CABLE PLUG FOR AIR DIELECTRIC CABLE 5/8"-TYPE 7-16



Part number	BN 92 55 25	
Connector type	7-16 plug	
Version	CAF®	
Impedance	50 Ω	
Frequency range	0 - 2 GHz	2 - 2.7 GHz
VSWR	≤ 1.04	≤ 1.06
Material and surface		
Inner conductor	copper alloy	silver-plated
Outer conductor	copper alloy	silver-plated
Other metal parts	copper alloy	bright nickel-plated
Insulation	PTFE	
Sealing	silicone rubber, PLAST 2000®	
Degree of protection	IP68 (pressure-tight up to 4bar/400kPa)	
Cable compatibility	RFS	HCA 58-50
Standards	IEC 61169-4	
Installation instructions	M30255	
Weight	approx. 0.25 kg	
Included in delivery	cover, installation instructions	