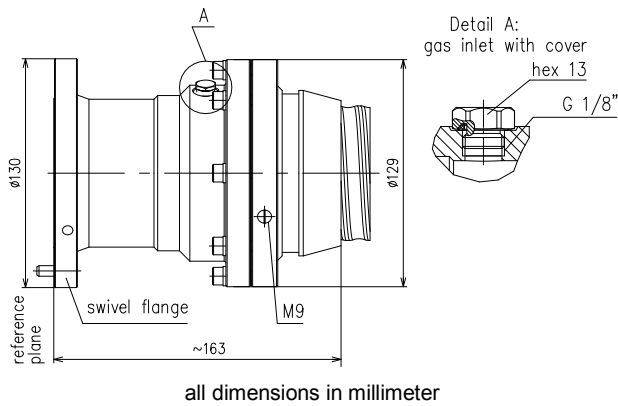


Cable Connector 3 1/8" EIA for Air Dielectric Cable 3" || BN 930070



Interface type	3 1/8" EIA (50 ohms) per 339 IEC 50-80	
Frequency range	DC to 1 GHz	
VSWR, max.	1.02 @ DC to 1 GHz	
Peak power capability	640 kW	
Average power capability	11.6 kW @ 960 MHz	
Proof voltage, max.	16 kV	
Inner conductor material / surface finish	copper alloy / silver plated	
Outer conductor material / surface finish	copper alloy / silver plated	
Other metal parts / surface finish	copper alloy / bright nickel plated stainless steel / untreated	
Insulation	PTFE	
Sealing	silicone rubber, copper, PLAST 2000®	
Degree of protection	IP 68 (pressure-tight up to 4 bar / 400 kPa)	
Cable compatibility	RFS	HCA300-50
Handling instructions	M36323	
Weight, approx.	5.2 kg	
Operating temperature range	-40°C to +85°C	
Storage temperature range	-70°C to +85°C	
Gas inlet	G 1/8"	
Included in delivery	cover, gas inlet adaptor G 1/8" external – M12x1.5 internal, sealing, installation instruction	