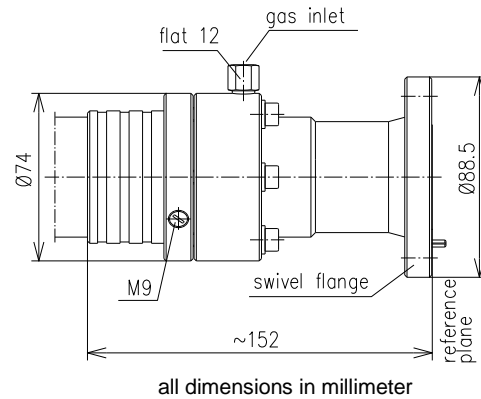


Cable Plug for HCA158-50, Type 1 5/8" EIA || BN 936510



SPINNER GmbH
 This document is proprietary to us.
 All rights reserved. Any use, transfer, or reproduction of this document
 or the know-how contained therein requires our express consent.

| | | |
|--|---|------------|
| Interface type | 1 5/8" EIA (50 Ω) per IEC 60339-2 | |
| Frequency range | DC to 2.70 GHz | |
| VSWR, max. / typ. | 1.02 @ DC to 1.00 GHz 1.06 @ 1.00 to 2.70 GHz | |
| Inner conductor material / surface finish | copper alloy / silver plated | |
| Outer conductor material / surface finish | copper alloy / silver plated | |
| Other metal parts / surface finish | copper alloy / nickel plated | |
| Insulation | PTFE | |
| Sealing | silicone rubber, copper, PLAST2000® | |
| IP protection level | IP68 per EN 60529 (barrier and mating face sealed) | |
| Cable compatibility | RFS | HCA 158-50 |
| Installation instructions / Product manual | M25703 | |
| Weight, approx. | 2.1 kg | |
| Scope of delivery | protective cap, cover, sealing, installation instructions | |