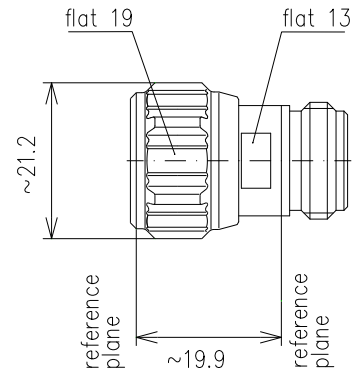


ADAPTOR PLUG-SOCKET TYPE N



Part number	BN 95 08 90				
Connector type	N plug \ N socket				
Impedance	50 Ω				
Frequency range	0 - 1 GHz	1 - 3 GHz	3 - 6 GHz	6 - 12 GHz	12 - 18 GHz
VSWR	≤ 1.02	≤ 1.04	≤ 1.06	≤ 1.12	≤ 1.27
Intermodulation (IM3) 2x20W	≤ -165 dBc				
Material and surface					
Inner conductor	copper alloy		silver-plated		
Outer conductor	copper alloy		silver-plated		
Other metal parts	copper alloy		bright nickel-plated		
Insulation	PTFE				
Sealing	silicone rubber				
Degree of protection	IP68 (mated)				
Standards	IEC 61169-16				
Weight	approx. 0.03 kg				