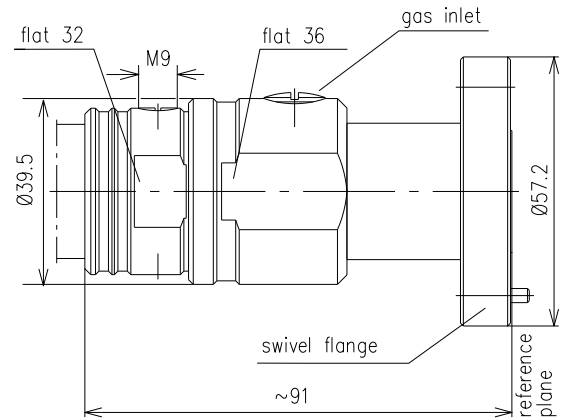


CABLE PLUG FOR AIR DIELECTRIC CABLE 7/8"-TYPE 7/8" EIA



<b>Part number</b>	<b>BN 97 91 28</b>		
Connector type	7/8" EIA		
Version	CAF®		
Impedance	50 Ω		
Frequency range	0 - 1 GHz	1 - 2 GHz	2 - 3 GHz
VSWR	≤ 1.02	≤ 1.03	≤ 1.06
Material and surface			
Inner conductor	copper alloy	silver-plated	
Outer conductor	copper alloy	silver-plated	
Other metal parts	copper alloy	bright nickel-plated	
Insulation	PTFE		
Sealing	silicone rubber, PLAST 2000®		
Degree of protection	IP68 (pressure-tight up to 4bar/400kPa)		
Cable compatibility	RFS	HCA 78-50	
Standards	IEC 60339		
Installation instructions	M30197		
Weight	approx. 0.6 kg		
Included in delivery	protective cap, cover, installation instructions		