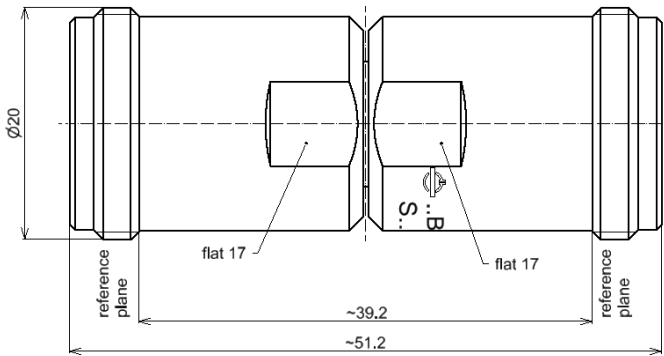


PRECISION THROUGH || BN 983720



all dimensions in millimeter

Radio frequency characteristics

Interface type	4.1-9.5 socket / socket per IEC 60169-11
Frequency range	DC to 12.5 GHz
Impedance	50 Ω
Return loss, min.	35 dB @ DC to 4 GHz 30 dB @ 4 to 6 GHz 25 dB @ 6 to 12.5 GHz

General mechanical data

Center conductor material / surface finish	CuBe age hardened / gold-plated
Outer conductor material / surface finish	copper alloy / gold-plated
Insulation	cross linked polystyrene
Other metallic parts / surface finish	copper alloy / gold plated
Weight, approx.	0.09 kg
Marking	laser engraving

General environmental conditions

Operation	
Ambient temperature range	+18 to +28°C
Storage	
Ambient temperature range	-40 to +70°C
Relative humidity	0 - 95 % at 40 °C, non condensing

Scope of delivery and accessories

Scope of delivery	certificate of calibration, calibration data, handling instructions
-------------------	---